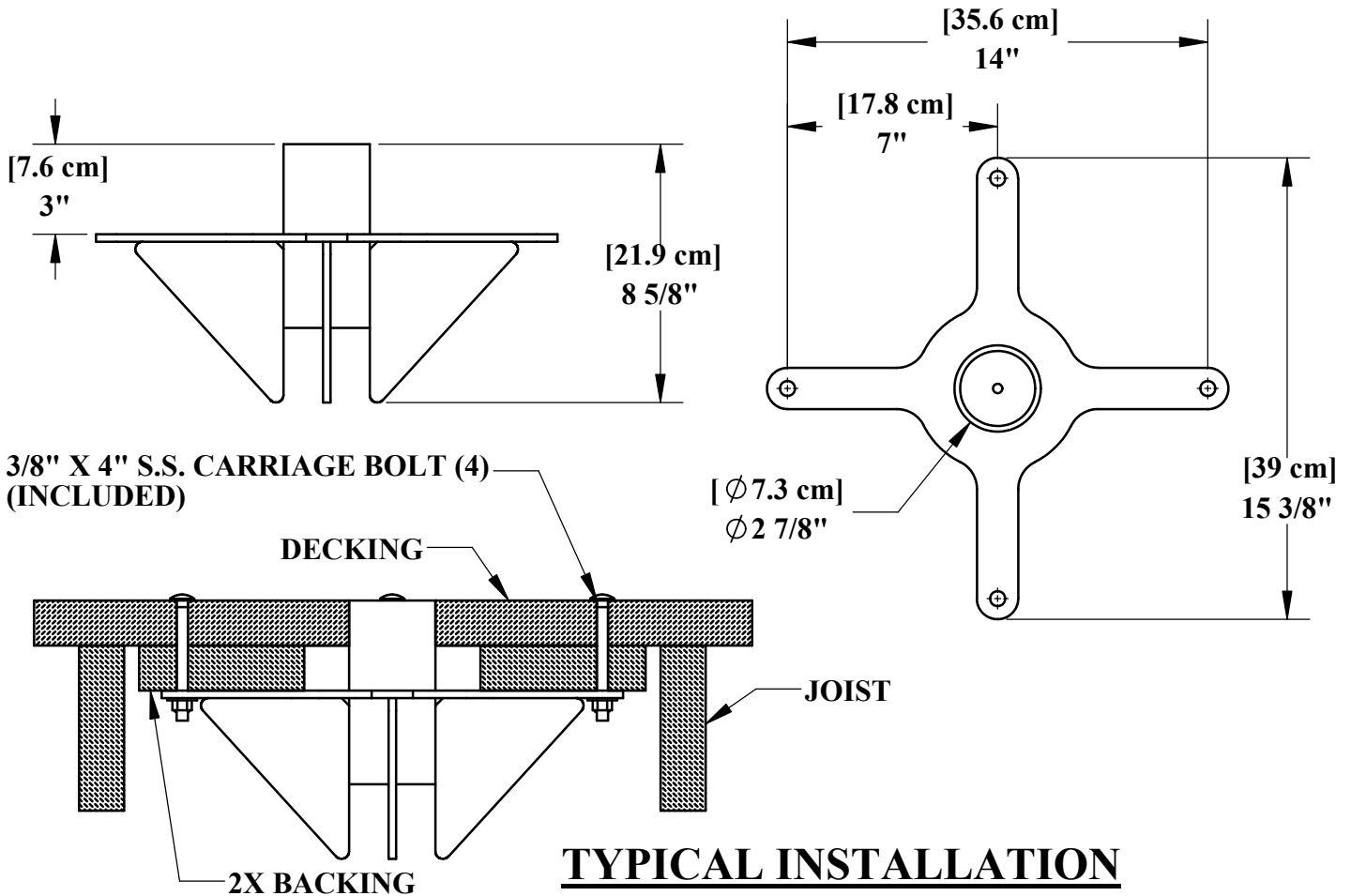


EZ POOL LIFT™ WOOD DECK ANCHOR

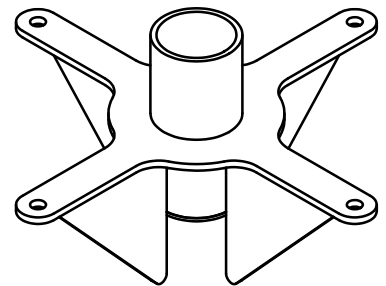


SPECIFICATIONS

THE AQUA CREEK EZ WOOD DECK ANCHOR SHALL BE AN ALL STAINLESS STEEL ANCHOR WITH AN UHMW PIVOT SLEEVE. THE ANCHOR HOUSING SHALL HAVE AN EPOXY POWDER COATED FINISH FOR EXTRA PROTECTION. THE EZ WOOD DECK ANCHOR SHALL COME WITH AN ELECTRO-PLATED, TAMPER-RESISTANT LID, A BRONZE GROUNDING LUG, AND ALL NECESSARY MOUNTING HARDWARE, INCLUDING FOUR (4) 3/8" X 4" S.S. CARRIAGE BOLTS.

ANCHOR HOUSING:
PLATE & GUSSETS:
GROUNDING LUG:
PIVOT SLEEVE:
LID:

2-1/2" SCH-40 [Ø 7.3 cm] STAINLESS STEEL PIPE
1/4" [6.4 mm] TYPE 304 STAINLESS STEEL PLATE
BRONZE W/ SET SCREW
UHMW (POLYETHYLENE)
ELECTRO-POLISHED 12 GAGE S.S.



9889 GARRY MORE LANE
MISSOULA, MT 59808
(406) 549-0769
FAX (406) 549-2602

NOTE:

*SPECIFICATIONS ARE SUBJECT TO CHANGE WITHOUT NOTICE
*ALL DIMENSIONS ARE IN INCHES

PRODUCT: EZ WOOD DECK ANCHOR	
DWG #: F-036EZWD	
SCALE: 1:6	DATE: 11/19/07
DRAWN BY: DS	REVISION: B