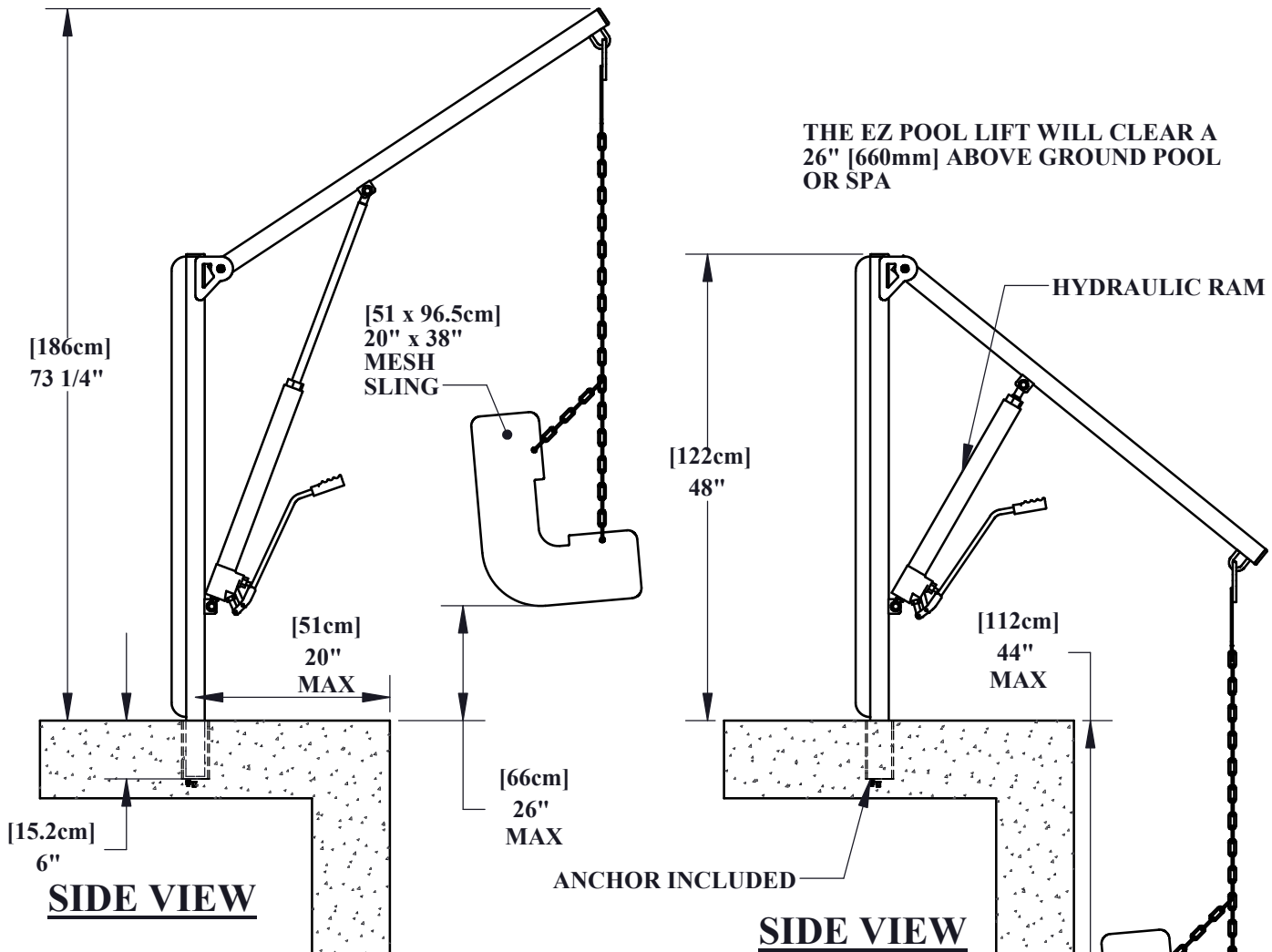


EZ POOL LIFT™

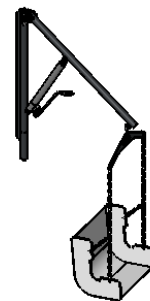


SPECIFICATIONS

THE AQUA CREEK EZ POOL LIFT SHALL BE A HAND POWERED SPA OR IN-GROUND POOL LIFT. THE LIFT SHALL BE STAINLESS STEEL CONSTRUCTION WITH A LIFTING CAPACITY OF 400 LBS [181 kgs]. THE LIFT SHALL HAVE AN OPERATING RANGE OF 53"[134.6cm]. THE EZ POOL LIFT CAN BE SETBACK UP TO 20" [51cm] FROM THE POOL EDGE WITH A 360° MANUAL ROTATION. THE UNIT SHALL INCLUDE A 6" [15.2cm] DEEP ANCHOR WITH AN ANTI-TAMPER LID, AND A 20" [51cm] WIDE BY 38" [96.5cm] LONG MESH SLING. THE UNIT IS PORTABLE AND CAN BE REMOVED WITHOUT TOOLS. A 5 YEAR STRUCTURAL AND 1 YEAR SLING WARRANTY IS STANDARD.

(AN OPTIONAL 28" [71cm] WIDE BY 50" [127cm] LONG MESH SLING IS ALSO AVAILABLE)

MAST: 1.9" [48.3mm] O.D. .145" [3.7mm] WALL STAINLESS STEEL TUBE TYPE 304 WITH REINFORCING FIN
 BOOM: 1.9" [48.3mm] O.D. .145" [3.7mm] WALL STAINLESS STEEL TUBE TYPE 304 WITH REINFORCING FIN
 RAM: SELF-CONTAINED POWER-PACKER HYDRAULIC RAM WITH NITROTEC FINISH
 SLING: 100% POLYESTER MESH RATED FOR PATIENT LIFTING DEVICES, 20"W x 38"L [51cm x 96.5cm]
 CHAIN: STAINLESS STEEL TYPE 304
 FINISH: UV RESISTANT POLYESTER POWDER-COATING



9889 GARRY MORE LANE
 MISSOULA, MT 59808
 (406) 549-0769
 FAX (406) 549-2602

Aqua Creek Products

The Total Solution for Pool and Spa Access

NOTE:
 *SPECIFICATIONS ARE SUBJECT TO CHANGE WITHOUT NOTICE
 *ALL DIMENSIONS ARE IN INCHES

PRODUCT:	F-03EZPL	
DWG #:	F-03EZPL-1	
SCALE:	1:18	DATE: 12/3/09
DRAWN BY:	DS	REVISION: E