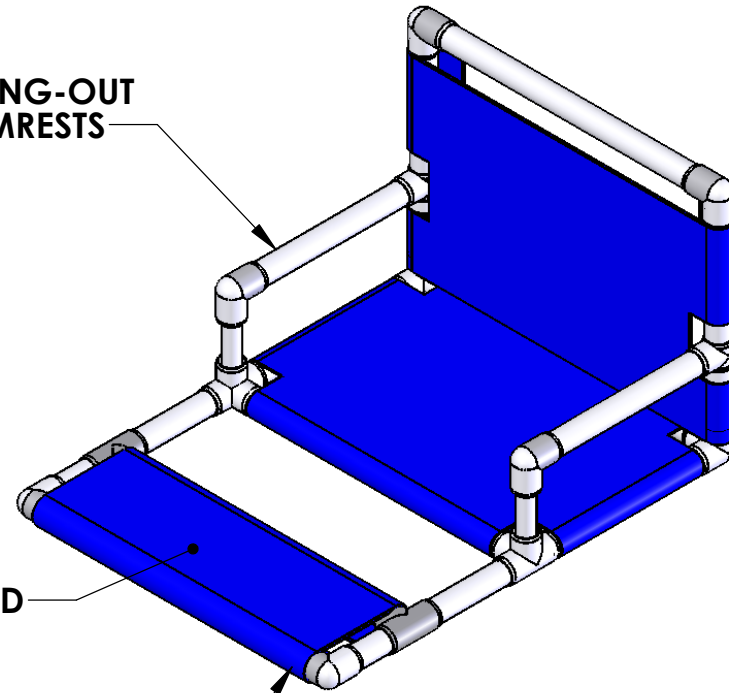
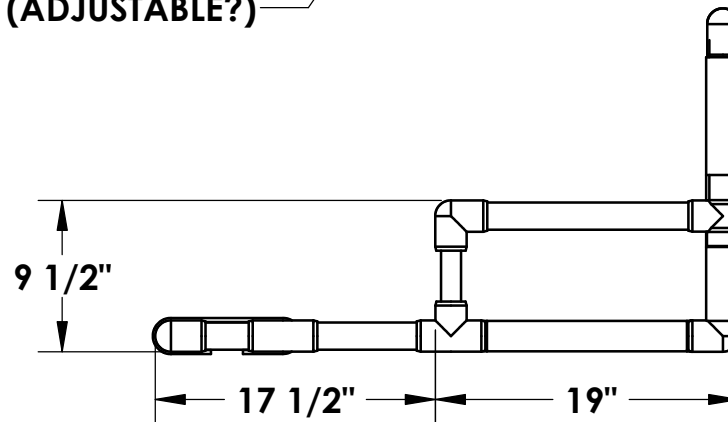


SWING-OUT
ARMRESTS



FOAM PAD

LEGREST
(ADJUSTABLE?)



PROPRIETY AND CONFIDENTIAL INFORMATION

THIS DRAWING AND ALL INFORMATION CONTAINED HEREIN IS THE SOLE PROPERTY OF AQUA CREEK PRODUCTS LLC. ANY REPRODUCTION IN PART OR AS A WHOLE WITHOUT WRITTEN PERMISSION FROM AQUA CREEK IS PROHIBITED.

TOLERANCES:
DIMENSIONS ARE IN INCHES
UNLESS OTHERWISE SHOWN
FRACTIONAL: ±1/16
ANGULAR: ±1°
TWO PLACE DECIMAL: ±.05
THREE PLACE DECIMAL: .. ±.030

AQUA CREEK PRODUCTS LLC
9889 GARRY MORE LANE
MISSOULA, MT 59808
406-549-0769
1-888-687-3552

DESCRIPTION:
24" W. PVC CHAIR W/LEGREST

| | | |
|------------|-----------|--------|
| SCALE:1:12 | 8/18/2008 | 1 of 1 |
|------------|-----------|--------|