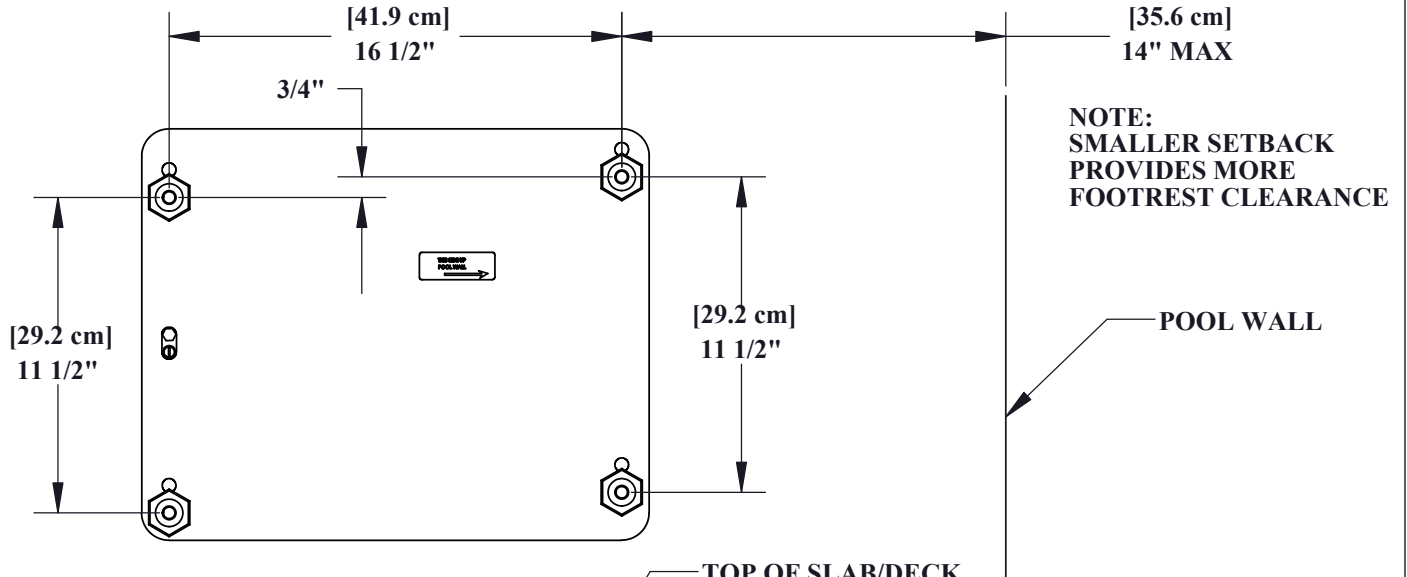
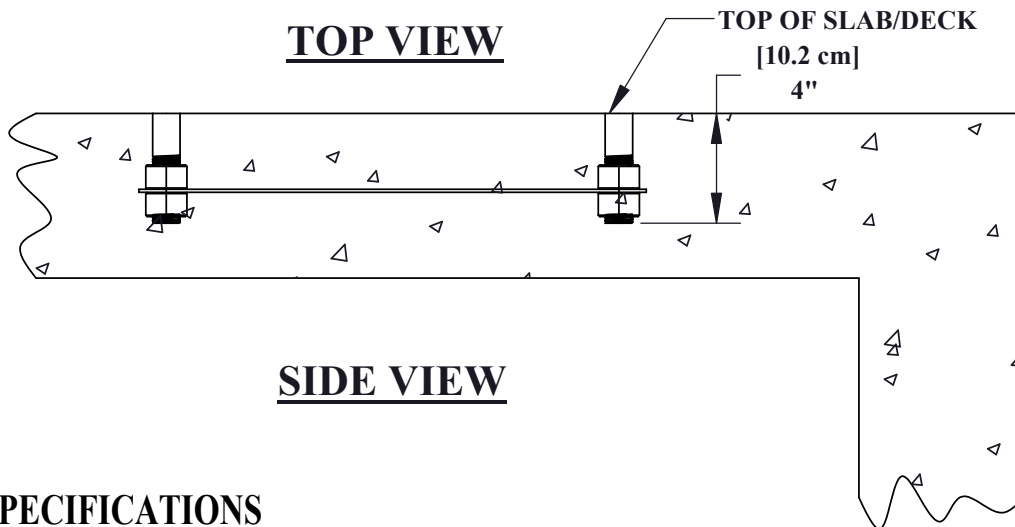


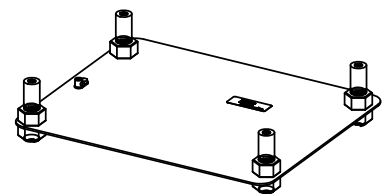
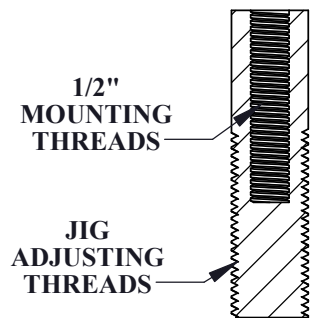
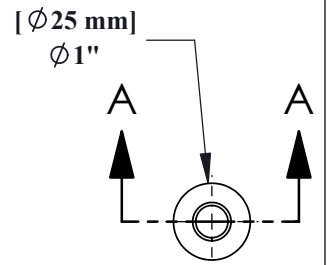
PRO POOL LIFT ANCHOR



TOP VIEW



SIDE VIEW



SPECIFICATIONS

THE AQUA CREEK PRO POOL ANCHOR ASSEMBLY SHALL CONSIST OF FOUR (4) 1" [25 mm] ANCHOR SOCKETS MOUNTED IN A 3/16" [4.8 mm] JIG PLATE. THE ANCHOR SOCKETS SHALL BE ADJUSTABLE WITHIN THE JIG PLATE. THE ANCHOR SOCKETS SHALL BE REMOVABLE FOR RETRO-FIT PLACEMENT IN AN EXISTING POOL OR SPA DECK.

MANUFACTURER RECOMMENDS THAT THE ANCHOR ASSEMBLY BE GROUNDED PER LOCAL CODES.

ANCHOR SOCKET: \varnothing 1" [25 mm] TYPE 304 STAINLESS STEEL

ADJUSTING NUT: 1"-8 HEX NUT - TYPE 304 STAINLESS STEEL

JIG PLATE: 3/16" [4.8 mm] STEEL PLATE

9889 GARRY MORE LANE
 MISSOULA, MT 59808
 (406) 549-0769
 FAX (406) 549-2602



The Total Solution for Pool and Spa Access

NOTE:
 *SPECIFICATIONS ARE SUBJECT TO CHANGE WITHOUT NOTICE
 *ALL DIMENSIONS ARE IN INCHES

PRODUCT:	F-433PP4A	
DWG #:	F-433PP4A-1	
SCALE:	1:6	DATE: 6/12/08
DRAWN BY:	DS	REVISION: F