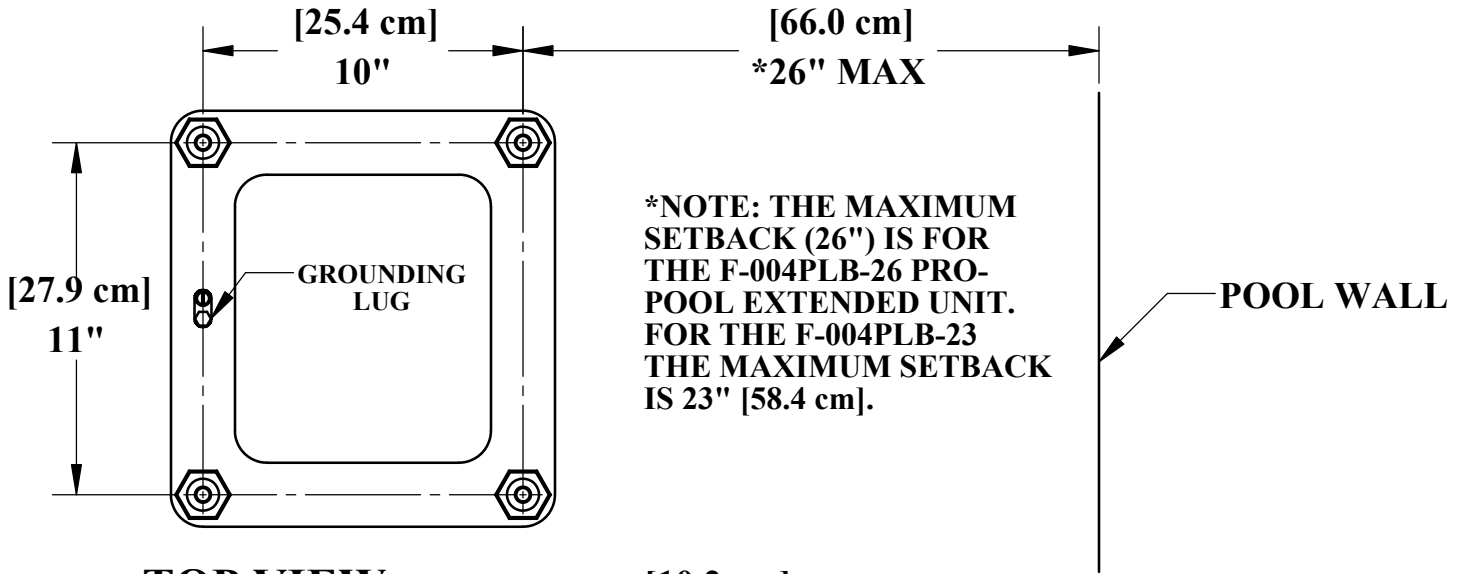
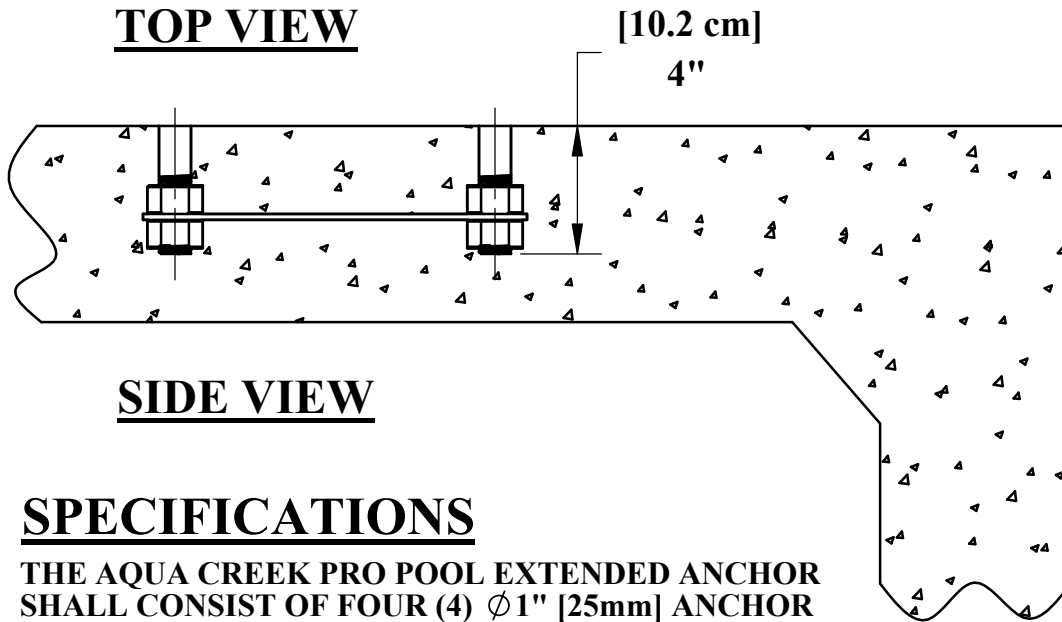


# PRO POOL EXTENDED ANCHOR



**TOP VIEW**



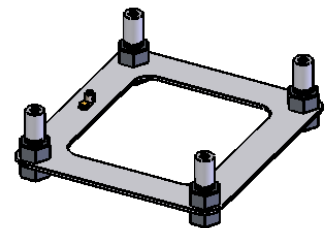
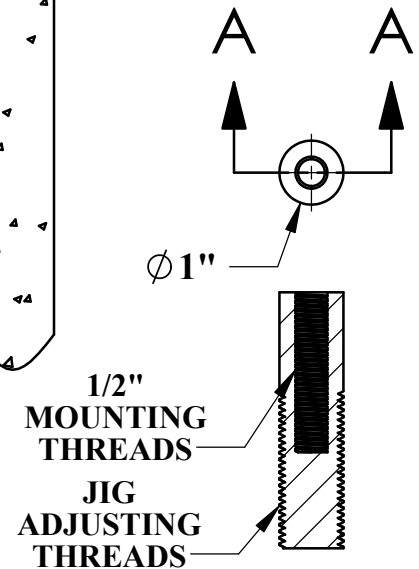
**SIDE VIEW**

## SPECIFICATIONS

THE AQUA CREEK PRO POOL EXTENDED ANCHOR SHALL CONSIST OF FOUR (4)  $\phi 1''$  [25mm] ANCHOR SOCKETS MOUNTED ON A  $3/16''$  [4.8mm] JIG PLATE. THE ANCHOR SOCKETS SHALL BE ADJUSTABLE WITHIN THE JIG PLATE. THE ANCHOR SOCKETS SHALL BE REMOVABLE FOR RETRO-FIT PLACEMENT IN AN EXISTING POOL OR SPA DECK.

THE MANUFACTURER RECOMMENDS THAT THE ANCHOR ASSEMBLY BE GROUNDED PER LOCAL CODES.

- ANCHOR SOCKET:  $\phi 1''$  [25mm] TYPE 304 STAINLESS STEEL
- ADJUSTING NUT:  $\phi 1''$ -8 HEX NUT, TYPE 310 STAINLESS STEEL
- JIG PLATE:  $3/16''$  [5mm] PLATE, PLAIN CARBON STEEL



9889 GARRY MORE LANE  
 MISSOULA, MT 59808  
 (406) 549-0769  
 FAX (406) 549-2602

NOTE:  
 \*SPECIFICATIONS ARE SUBJECT TO CHANGE WITHOUT NOTICE  
 \*ALL DIMENSIONS ARE IN INCHES

PRODUCT:	F-04CAJP	
DWG #:	F-04CAJP-1	
SCALE:	1:6	DATE: 5/4/09
DRAWN BY:	DS	REVISION: A