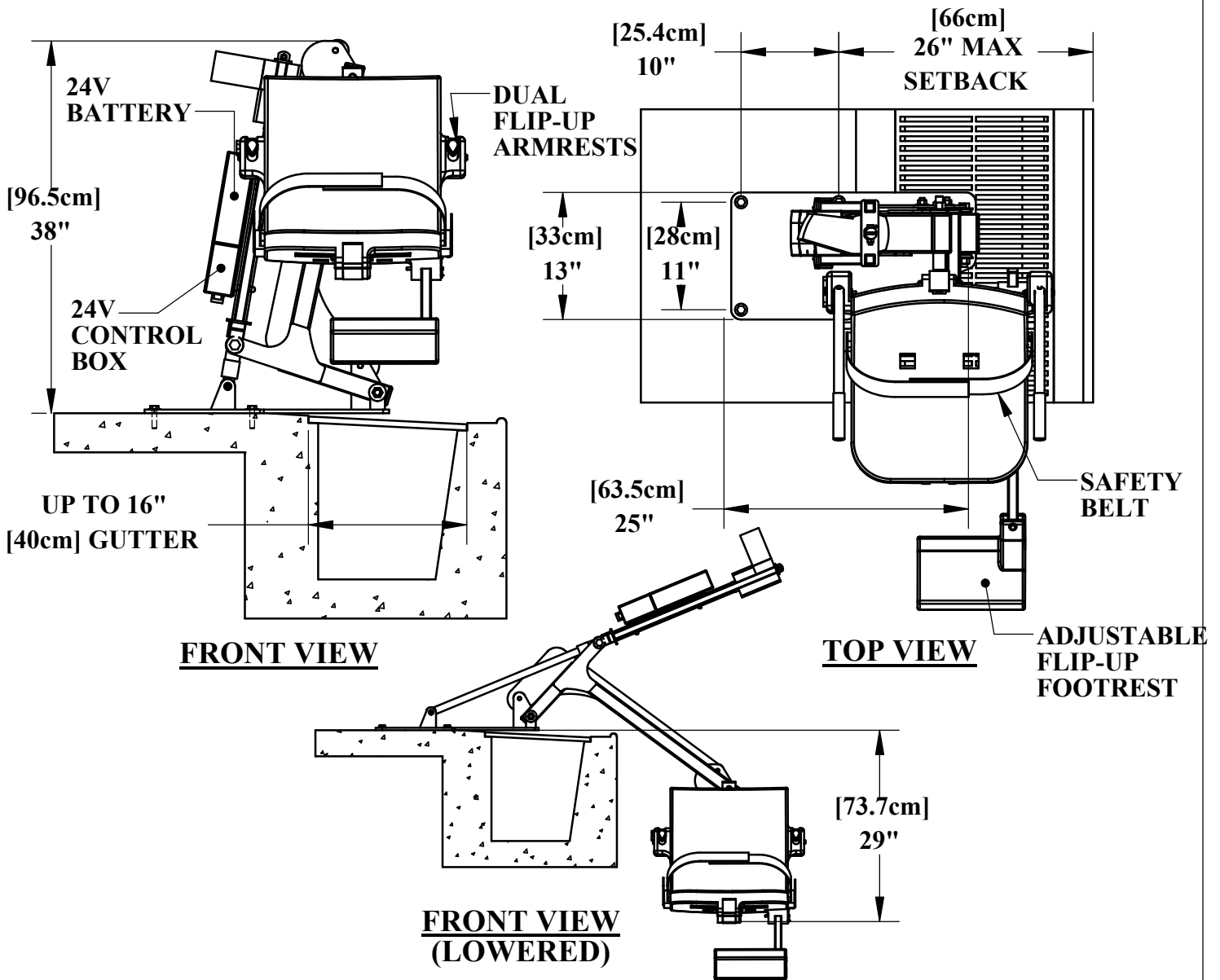


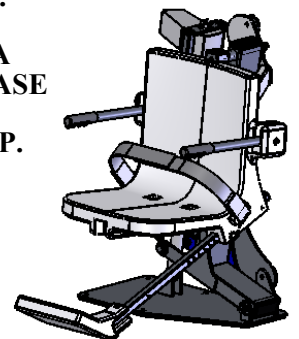
PRO POOL LIFT™ EXTENDED BASE 26



SPECIFICATIONS:

THE AQUA CREEK PRO POOL EXTENDED BASE LIFT SHALL BE CONSTRUCTED TO THE SAME SPECIFICATIONS AS THE STANDARD PRO POOL LIFT, WITH THE STANDARD BASE PLATE REPLACED BY A 3/8" [9.5mm] THICK STAINLESS STEEL BASE PLATE. THE EXTENDED BASE PLATE SHALL EXTEND THE SETBACK RANGE TO A MAXIMUM OF 26" [66cm], WHILE ALLOWING THE LIFT TO BE INSTALLED OVER A MAXIMUM OF 16" [40cm] WIDE ZERO DRAFT GUTTER. THE PRO POOL EXTENDED BASE SHALL MOUNT TO A SOLID DECK USING FOUR (4) 1" [2.4cm] ANCHOR BODIES ARRANGED IN A RECTANGULAR PATTERN 11" [27.9cm] WIDE BY 10" [25.4cm] DEEP.

BASE PLATE: 3/8" [9.5mm] TYPE 304 STAINLESS STEEL
 MAIN HOUSING: 2" x 4" x .120" [5.1 x 10.2 x .30 cm] TYPE 304 STAINLESS STEEL TUBE
 CHAIR AND FOOTREST: UV STABILIZED POLYETHYLENE (LLDPE)
 ACTUATOR: 24" [600mm] STROKE LINAK LA34 LINEAR ACTUATOR
 FINISH: UV RESISTANT EPOXY POWDER COATING



9889 GARRY MORE LANE
 MISSOULA, MT 59808
 (406) 549-0769
 FAX (406) 549-2602

Aqua Creek Products

The Total Solution for Pool and Spa Access

NOTE:
 *SPECIFICATIONS ARE SUBJECT TO CHANGE WITHOUT NOTICE
 *ALL DIMENSIONS ARE IN INCHES

| | | |
|-----------|---------------|--------------|
| PRODUCT: | F-004PLB-26 | |
| DWG #: | F-004PLB-26-1 | |
| SCALE: | 1:16 | DATE: 6/4/09 |
| DRAWN BY: | DS | REVISION: C |