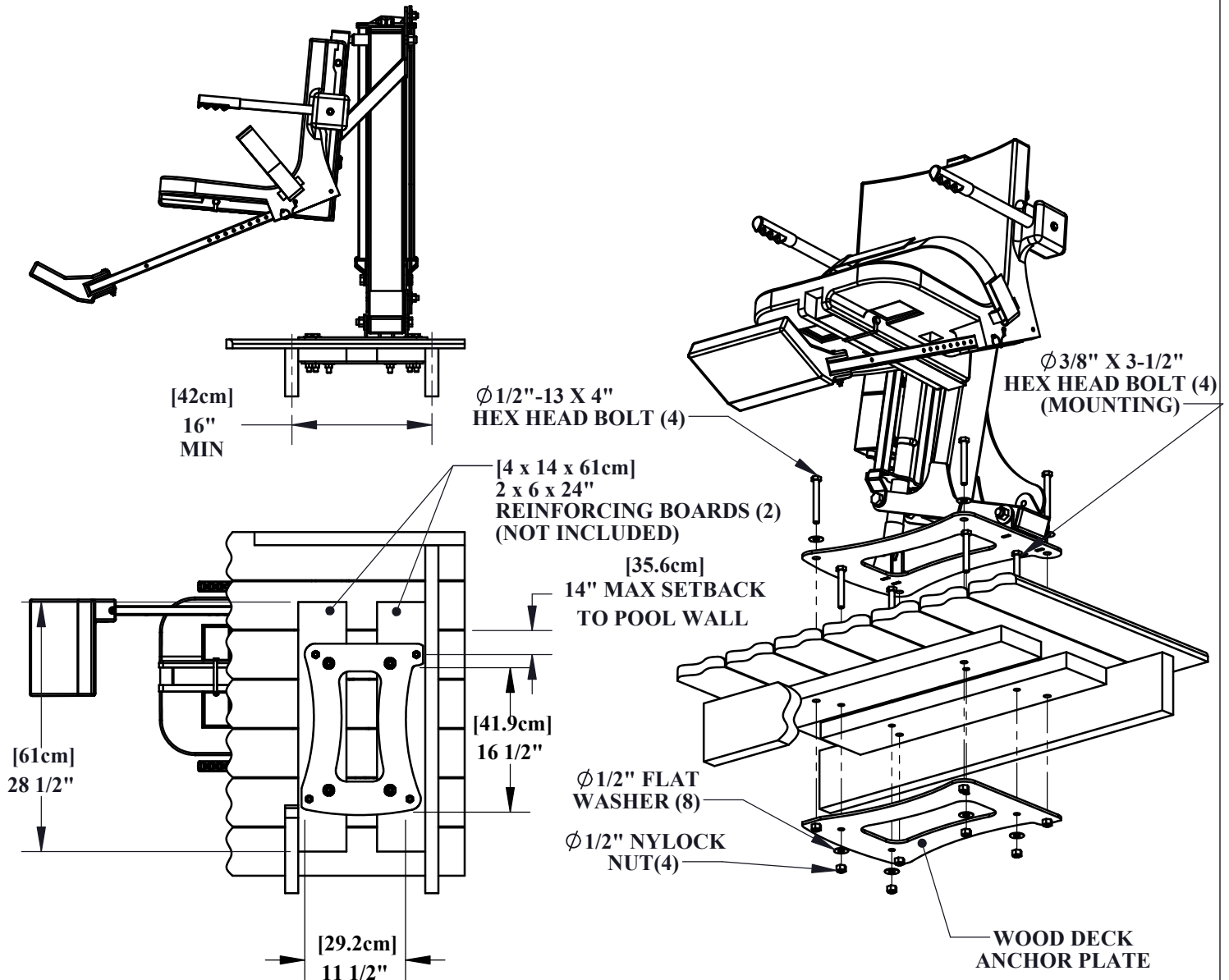


PRO POOL LIFT™ WOOD DECK ANCHOR



SPECIFICATIONS

THE AQUA CREEK PRO POOL WOOD DECK ANCHOR SHALL BE USED WHEN MOUNTING THE AQUA CREEK PRO POOL LIFT TO A SOLIDLY CONSTRUCTED WOODEN POOL DECK. THE DECK SHOULD BE CONSTRUCTED OF 2X6 LUMBER (MIN) WITH A JOIST SPACING OF 16" C-C (CENTER TO CENTER) MINIMUM. THE WOOD DECK ANCHOR SHALL CONSIST OF A STAINLESS STEEL WOOD DECK ANCHOR PLATE AND ALL NECESSARY STAINLESS STEEL HARDWARE. THE WOOD DECK ANCHOR SHALL ALLOW FOR THE PRO POOL LIFT TO BE REMOVED WITHOUT REMOVING THE WOOD DECK ANCHOR. THE DECK SHALL BE REINFORCED WITH 2X6 [4 X 14 cm] MATERIAL AS SHOWN IN THIS SPECIFICATION.

WOOD DECK PLATE: 1/4" [6.4mm] TYPE 304 STAINLESS STEEL PLATE

FINISH: UV RESISTANT EPOXY POWDER-COATING

HARDWARE: STAINLESS STEEL

9889 GARRY MORE LANE
 MISSOULA, MT 59808
 (406) 549-0769
 FAX (406) 549-2602



Aqua Creek Products

The Total Solution for Pool and Spa Access

NOTE:
 *SPECIFICATIONS ARE SUBJECT TO CHANGE WITHOUT NOTICE
 *ALL DIMENSIONS ARE IN INCHES

PRODUCT:	F-40220	
DWG #:	F-40220-1	
SCALE:	1:18	DATE: 12/3/09
DRAWN BY:	DS	REVISION: C