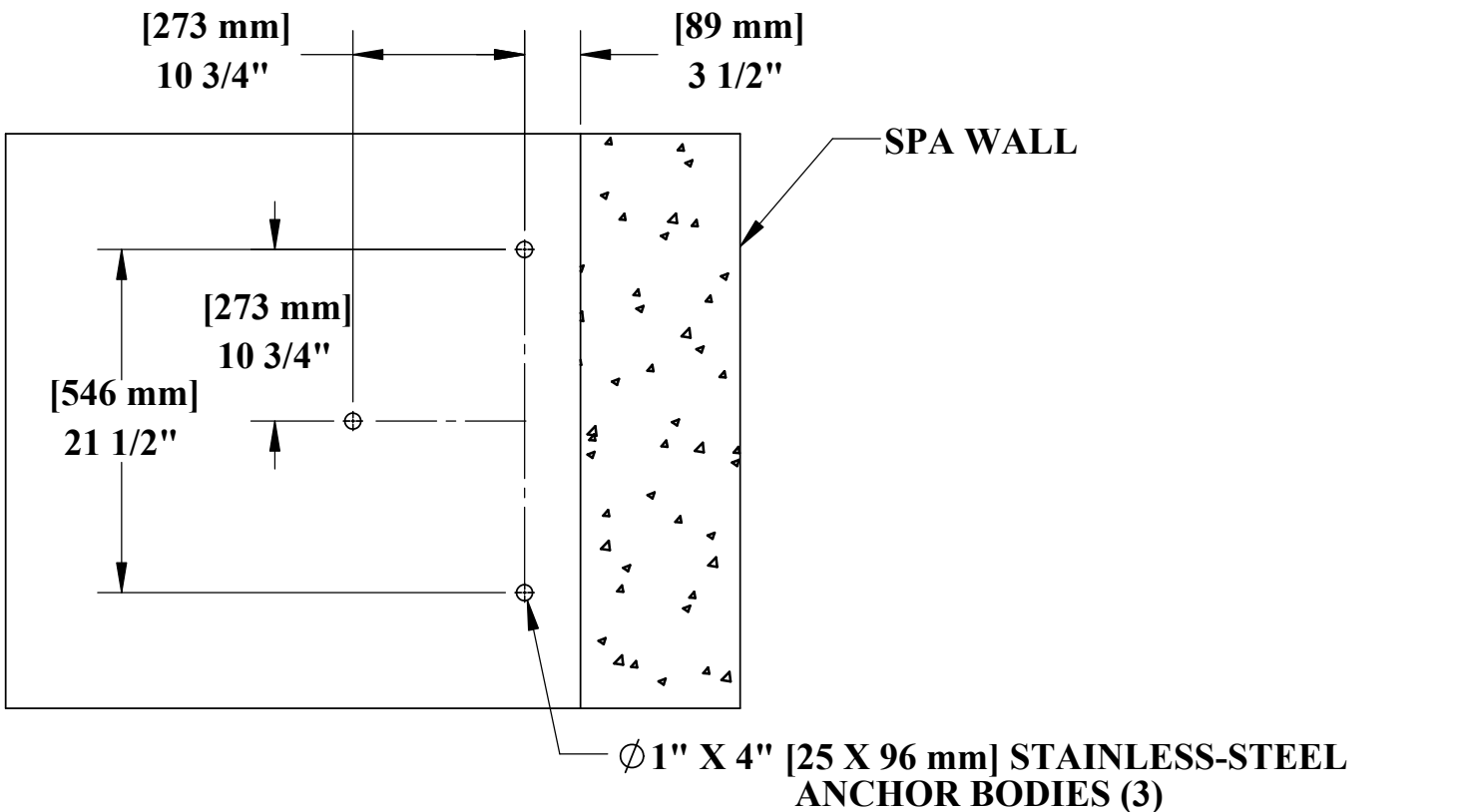
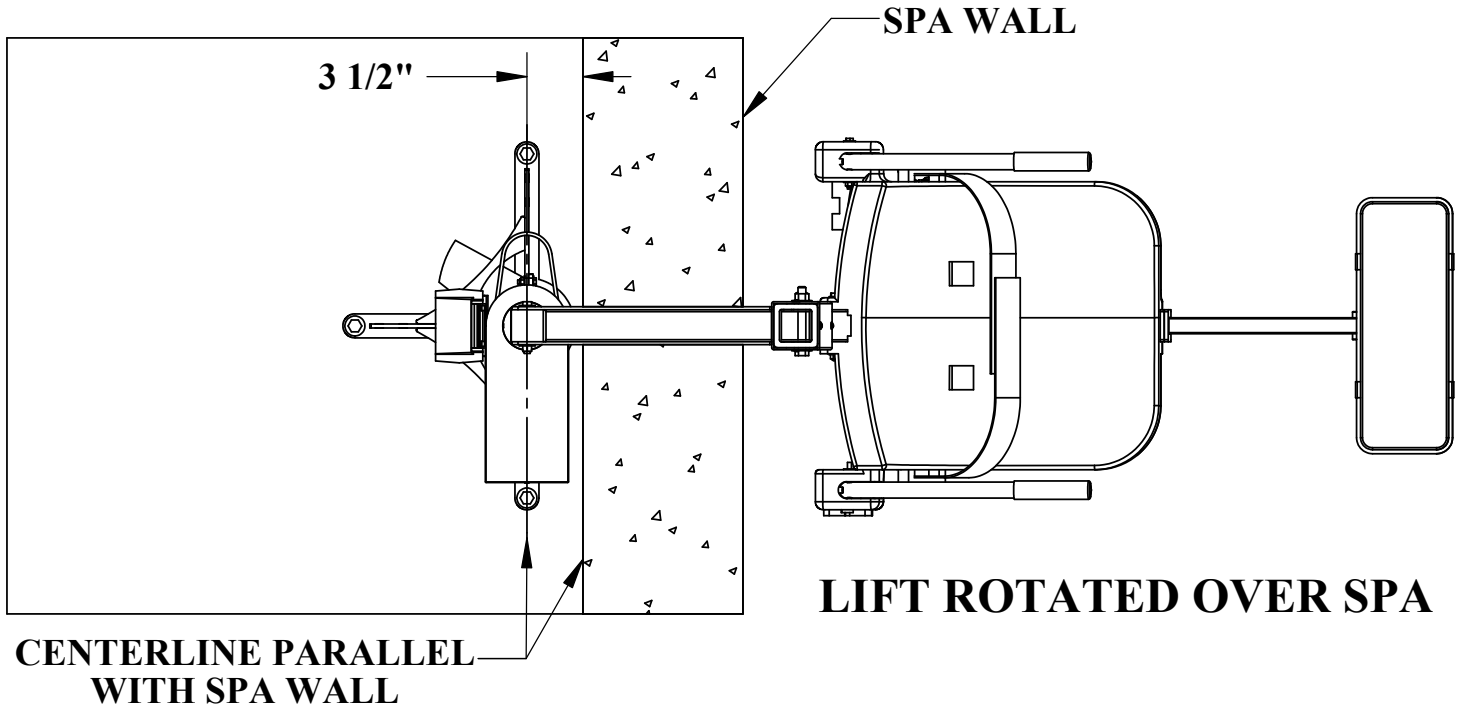


SPA LIFT™ & PRO SPA LIFT™ ANCHORS



9889 GARRY MORE LANE
MISSOULA, MT 59808
(406) 549-0769
FAX (406) 549-2602

NOTE:
*SPECIFICATIONS ARE SUBJECT TO CHANGE WITHOUT NOTICE
*ALL DIMENSIONS ARE IN INCHES

PRODUCT: SPA & PRO SPA ANCHOR DET.	
DWG #: F-005SLB-006PSLB-ANCHOR	
SCALE: 1:24	DATE: 12/4/09
DRAWN BY: DS	REVISION: B