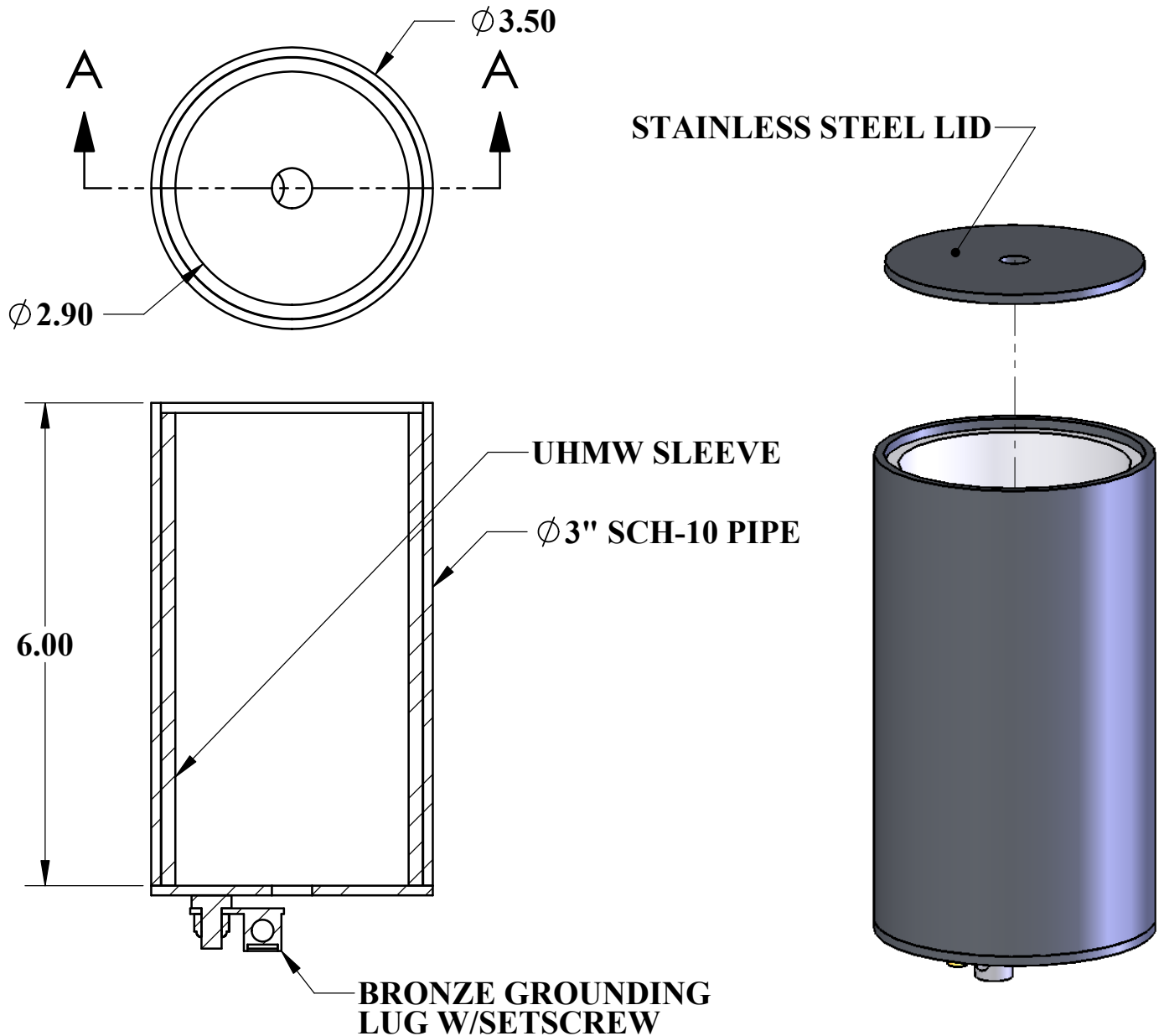


SUPER EZ/PEZ POOL LIFT™ ANCHOR



SPECIFICATIONS

THE AQUA CREEK SUPER EZ/PEZ POOL LIFT ANCHOR SHALL BE AN ALL STAINLESS STEEL ANCHOR WITH A UHMW PIVOT SLEEVE. THE ANCHOR SHALL FIT A 2.88" [7.3 cm] O.D. MAST. THE ANCHOR SHALL COME STANDARD WITH A BRONZE GROUNDING LUG ATTACHED AT THE BOTTOM, AND AN ELECTRO-POLISHED TAMPER RESISTANT LID.

ANCHOR HOUSING: 3" [8.9 cm OD] SCH-10 304 STAINLESS STEEL PIPE
GROUNDING LUG: BRONZE GROUNDING LUG W/SET SCREW
SLEEVE: UHMW (POLYETHYLENE)
LID: ELECTRO-POLISHED 12 GAGE 304 STAINLESS STEEL



9889 GARRY MORE LANE
 MISSOULA, MT 59808
 (406) 549-0769
 FAX (406) 549-2602

NOTE:
 *SPECIFICATIONS ARE SUBJECT TO CHANGE WITHOUT NOTICE
 *ALL DIMENSIONS ARE IN INCHES

PRODUCT:	F-86HBA	
DWG #:	F-86HBA-1	
SCALE:	1:2	DATE: 1/22/09
DRAWN BY:	DS	REVISION: A