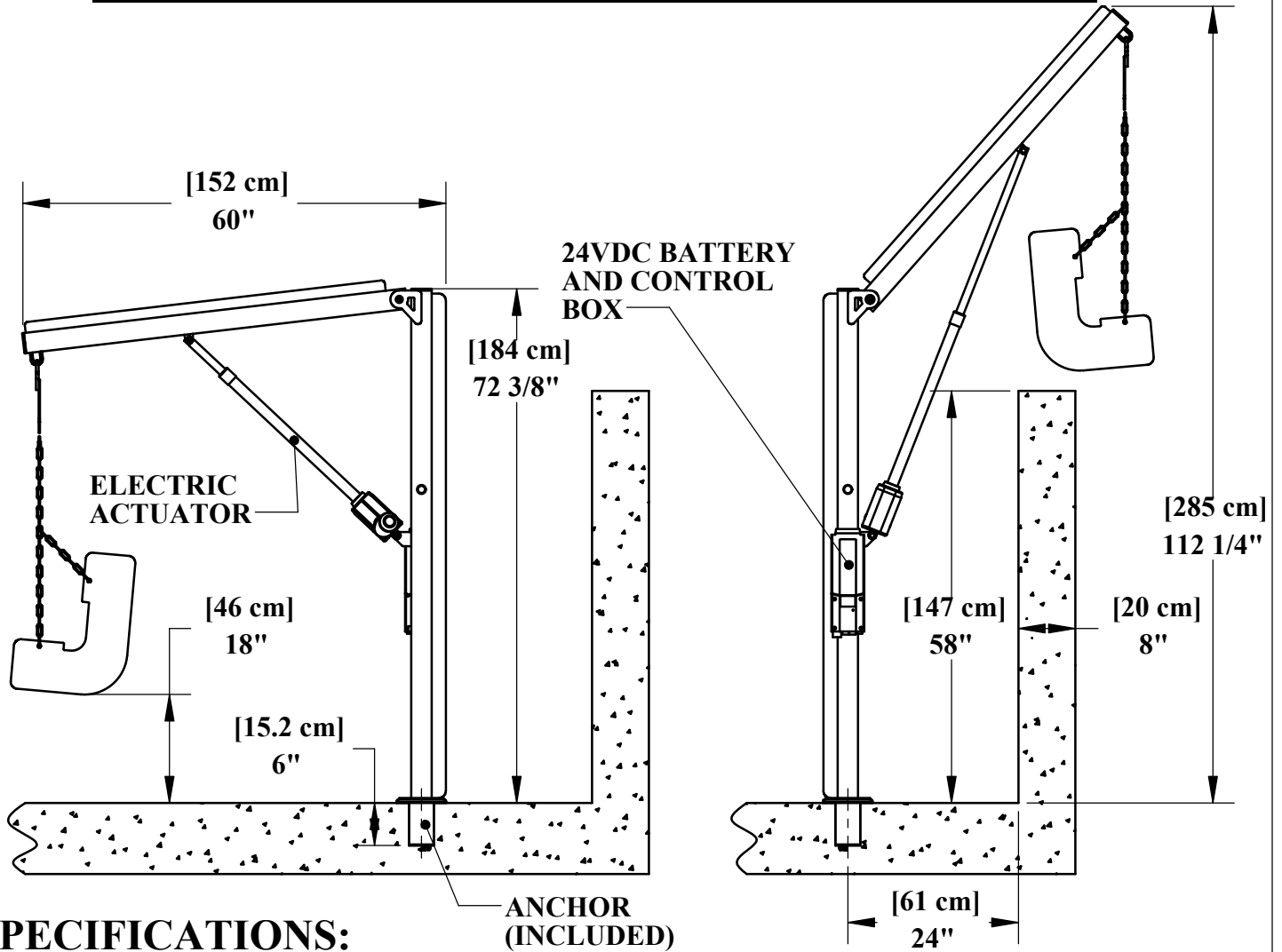


SUPER POWER-EZ™ POOL LIFT

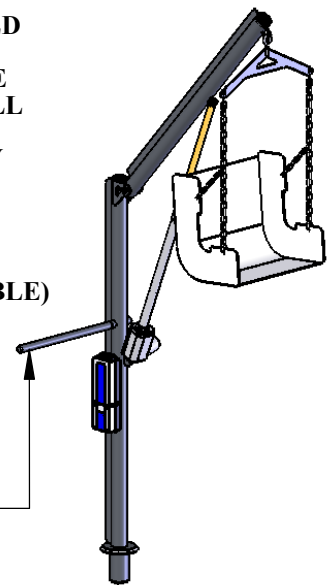


SPECIFICATIONS:

THE AQUA CREEK SUPER POWER-EZ POOLLIFT SHALL BE A 24V BATTERY POWERED ABOVE-GROUND POOL OR SPA LIFT. THE LIFT SHALL BE OF STAINLESS STEEL CONSTRUCTION WITH A LIFTING CAPACITY OF 400 LBS [181 kg]. THE LIFT SHALL BE CAPABLE OF CLEARING A 58" [147 cm] HIGH, 8" [20 cm] THICK WALL. THE LIFT SHALL HAVE A SETBACK DISTANCE OF 22" TO 24" [56 TO 61 cm]. THE UNIT SHALL INCLUDE A 6" [152 mm] DEEP ANCHOR WITH AN ANTI-TAMPER LID, AND A 20" [51 cm] WIDE BY 38" [96.5 cm] LONG MESH SLING. THE UNIT IS PORTABLE AND CAN BE REMOVED WITHOUT TOOLS. A 5-YEAR STRUCTURAL AND 1 YEAR SLING WARRANTY IS STANDARD.

(AN OPTIONAL 28" [71 cm] WIDE BY 50" [127 cm] LONG MESH SLING IS ALSO AVAILABLE)

- MAST: Ø2-1/2" SCH-40 PIPE, TYPE 304 STAINLESS STEEL
- BOOM: Ø2-1/2" SCH-40 PIPE, TYPE 304 STAINLESS STEEL
- RAM: LINAK MODEL LA-34 LINEAR ACTUATOR
- BATTERY: 24VDC RECHARGABLE BATTERY PACK
- SLING: 100% POLYESTER MESH RATED FOR PATIENT LIFTING DEVICES, 20" [51cm] WIDE BY 38" [96.5cm] LONG
- CHAIN: STAINLESS STEEL TYPE 304
- FINISH: UV RESISTANT EPOXY POWDER-COATING



9889 GARRY MORE LANE
 MISSOULA, MT 59808
 (406) 549-0769
 FAX (406) 549-2602

NOTE:
 *SPECIFICATIONS ARE SUBJECT TO CHANGE WITHOUT NOTICE
 *ALL DIMENSIONS ARE IN INCHES

PRODUCT:	F-190PHBL	
DWG #:	F-190PHBL-1	
SCALE:	1:24	DATE: 1/19/09
DRAWN BY:	DS	REVISION: A