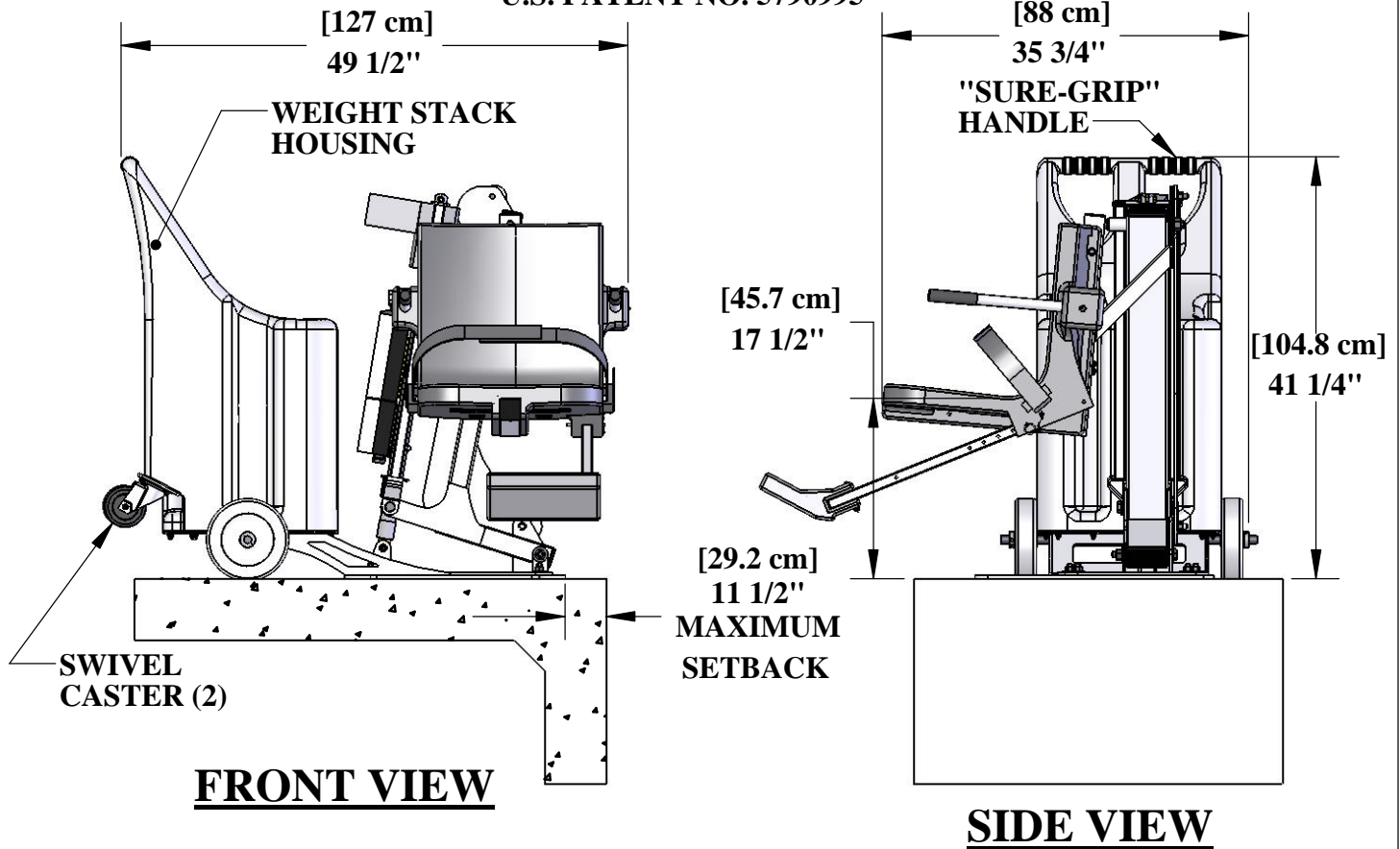


PORTABLE PRO POOL™ LIFT

U.S. PATENT NO. 5790995



SPECIFICATIONS

THE AQUA CREEK PORTABLE PRO POOL LIFT SHALL BE A PORTABLE VERSION OF THE STANDARD PRO POOL LIFT. THE PORTABLE PRO POOL LIFT SHALL COME STANDARD WITH A CAST IRON WEIGHT STACK ENCLOSED IN AN LLDPE ROTATIONALLY MOLDED HOUSING WITH AN INTEGRATED HANDLE. THE PORTABLE BASE SHALL BE CONSTRUCTED OF STAINLESS STEEL AND BE ABLE TO BE RETRO-FITTED TO ANY EXISTING PRO POOL LIFT. THE PORTABLE BASE SHALL ALLOW THE PRO POOL LIFT TO BE PLACED ON A POOL DECK AND USED WITHOUT THE NEED FOR ANCHORS. THE MAXIMUM CAPACITY OF THE PORTABLE PRO POOL LIFT SHALL BE 400 LBS [181 KGS]. THE PORTABLE BASE SHALL CARRY A LIMITED LIFETIME WARRANTY.

BASE PLATE: 3/8" [9.5 mm] STAINLESS STEEL TYPE 304
MAIN FRAME: 3/16" [4.8 mm] STAINLESS STEEL TYPE 304
WEIGHT PLATES: 14, ϕ 14-1/4" [36.2 cm] 50LB [22.7 kg] CAST IRON
WIGHT HOUSING: ROTATIONALLY MOLDED LLDPE
MAIN WHEELS: 8" [20.3 cm] NON-MARKING RUBBER W/ POLYOLYFIN HUB
CASTER WHEELS: 4" [10.1 cm] SWIVEL WITH NON-MARKING RUBBER TREADS
FINISH: UV RESISTANT EPOXY POWDER COATING

PORTABLE BASE
(WITHOUT LIFT)



NOTE: PORTABLE KIT AVAILABLE SEPARATELY (F-010POR) FOR USE WITH EXISTING PRO POOL LIFTS.

9889 GARRYMORE LANE
MISSOULA, MT 59808
(406) 549-0769
FAX (406) 549-2602

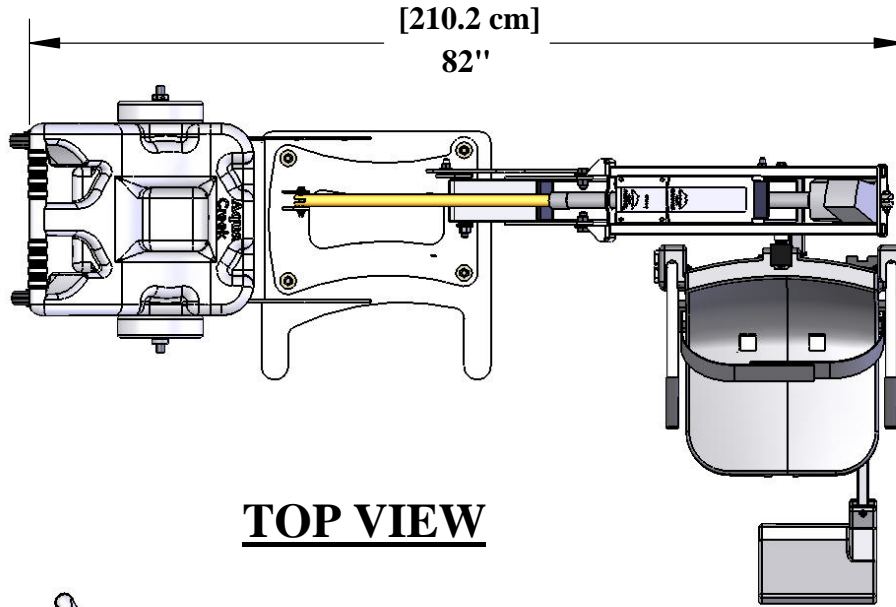
NOTE:
*SPECIFICATIONS ARE SUBJECT TO CHANGE WITHOUT NOTICE
*ALL DIMENSIONS ARE IN INCHES

Aqua Creek Products
The Total Solution for Pool and Spa Access

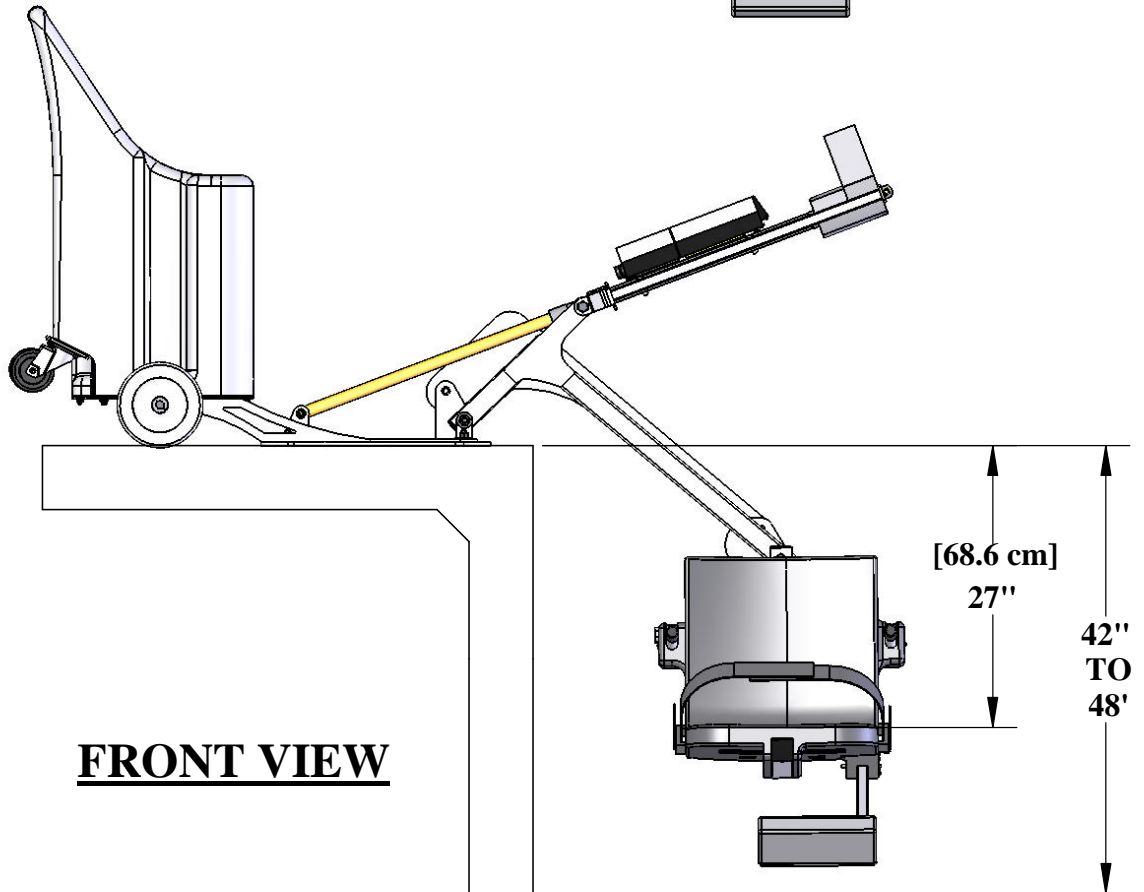
PRODUCT:	F-004PPPB	
DWG #:	F-004PPPB-1	
SCALE:	1:18	DATE: 4/5/12
DRAWN BY:	DS	REVISION: J

PORTABLE PRO POOL™ LIFT

U.S. PATENT NO. 5790995



TOP VIEW



FRONT VIEW



9889 GARRYMORE LANE
 MISSOULA, MT 59808
 (406) 549-0769
 FAX (406) 549-2602

NOTE:
 *SPECIFICATIONS ARE SUBJECT TO CHANGE WITHOUT NOTICE
 *ALL DIMENSIONS ARE IN INCHES

PRODUCT:	F-004PPPB	
DWG #:	F-004PPPB-2	
SCALE:	1:18	DATE: 4/5/12
DRAWN BY:	DS	REVISION: J