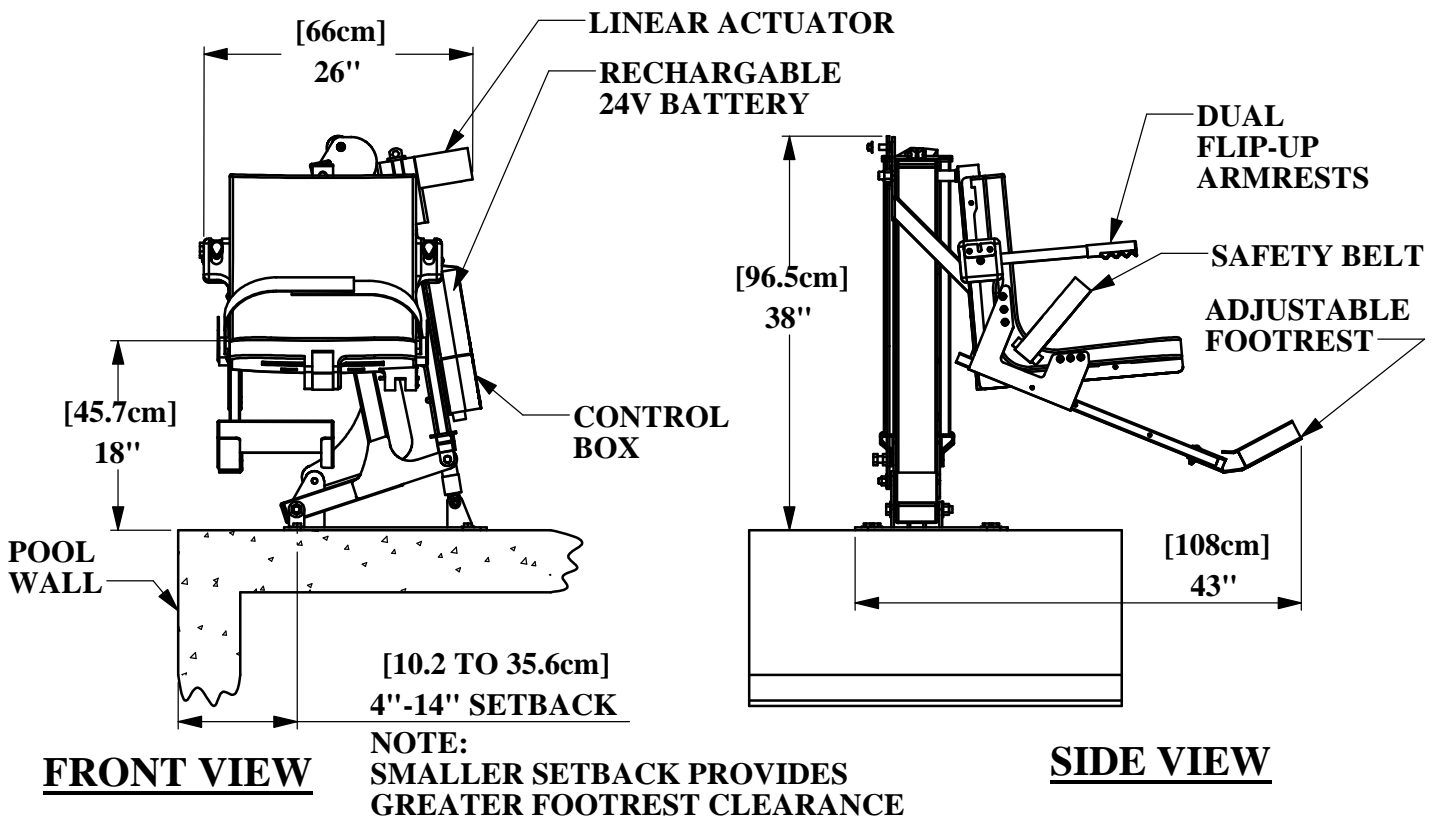


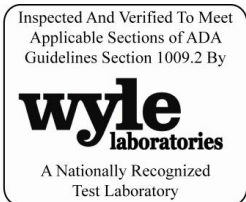
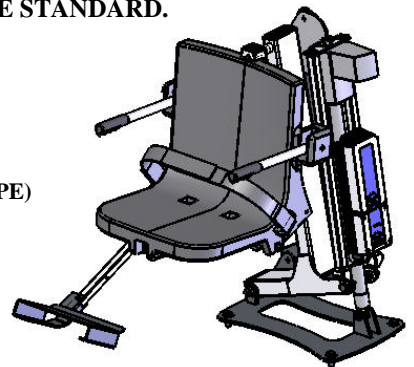
# PRO POOL LIFT™ - REVERSE



## SPECIFICATIONS

THE AQUA CREEK PRO POOL LIFT - REVERSE SHALL BE A 24V LINEAR ACTUATED, SELF OPERABLE, IN-GROUND POOL OR SPA LIFT. THE LIFT SHALL NOT INTRUDE INTO THE POOL OR SPA UNLESS IN USE. THE LIFT SHALL BE OF STAINLESS STEEL CONSTRUCTION AND BE DESIGNED TO LIFT 450 LBS [204kg] WITH A STATIC LOAD RATING OF 675 LBS [306kg]. AN 18" [45.7cm] WIDE SEAT SHALL BE CAPABLE OF BEING SET BACK 16" [405 mm] FROM THE CENTERLINE OF THE SEAT TO THE POOL EDGE. A 24 VOLT WATERPROOF CONTROLLER SHALL BE USABLE BY THE OPERATOR OR AN ATTENDANT. A CONTROL BOX, BATTERY CHARGER AND ONE REMOVABLE 24V RECHARGABLE BATTERY SHALL COME STANDARD. THE LIFT SHALL INCLUDE A SEATBELT. THE LIFT SHALL CARRY A LIMITED LIFETIME WARRANTY.

**BASE PLATE:** 1/4" [6.4mm] TYPE 304 STAINLESS STEEL  
**MAIN HOUSING:** 2" x 4" x .120" [5.1 x 10.2 x .30 cm] TYPE 304 STAINLESS STEEL TUBE  
**CHAIR:** ROTATIONALLY MOLDED UV STABILIZED POLYETHYLENE (LLDPE)  
**FOOTREST:** TYPE 304 STAINLESS STEEL  
**ACTUATOR:** 24" [600mm] STROKE LINAK LA34 LINEAR ACTUATOR  
**FINISH:** UV RESISTANT EPOXY POWDER COATING



9889 GARRYMORE LANE  
 MISSOULA, MT 59808  
 (406) 549-0769  
 FAX (406) 549-2602

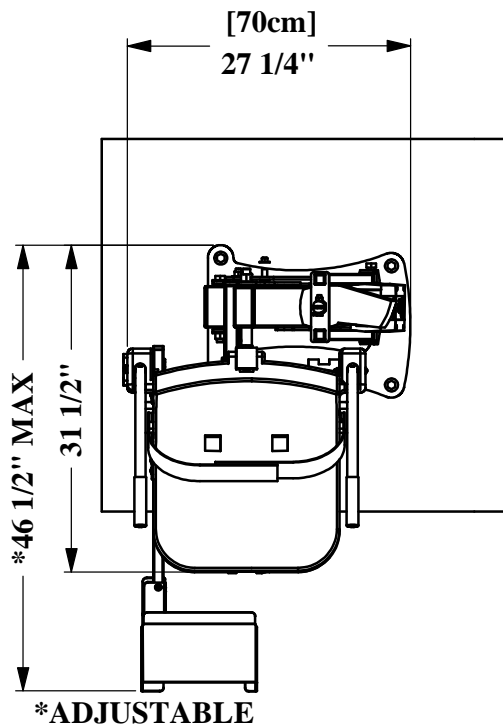
NOTE:  
 \*SPECIFICATIONS ARE SUBJECT TO CHANGE WITHOUT NOTICE  
 \*ALL DIMENSIONS ARE IN INCHES

**Aqua Creek Products**

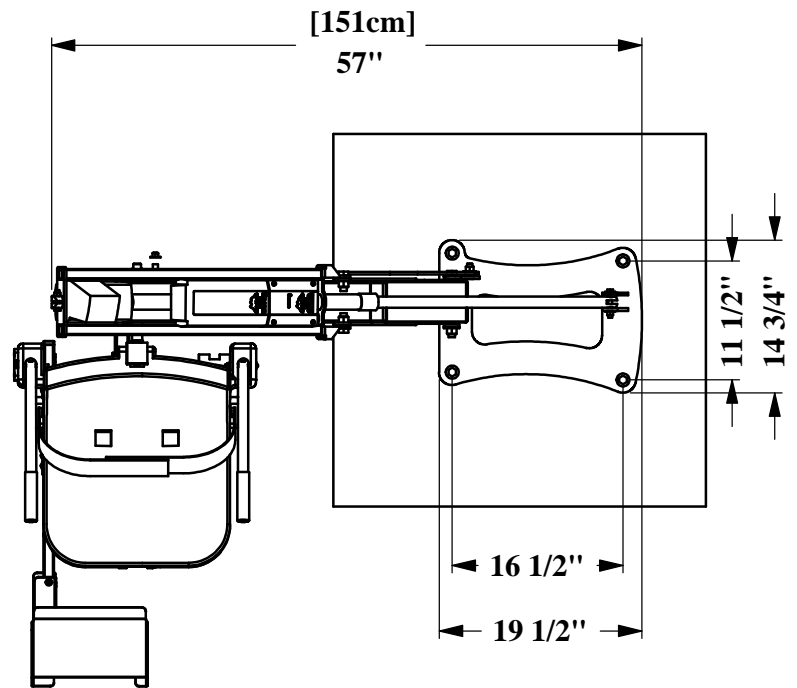
The Total Solution for Pool and Spa Access

PRODUCT:	F-004PLB-R		
DWG#:	F-004PLB-R-1		
SCALE:	1:18	DATE:	11/18/10
DRAWN BY:	DS	REVISION:	D

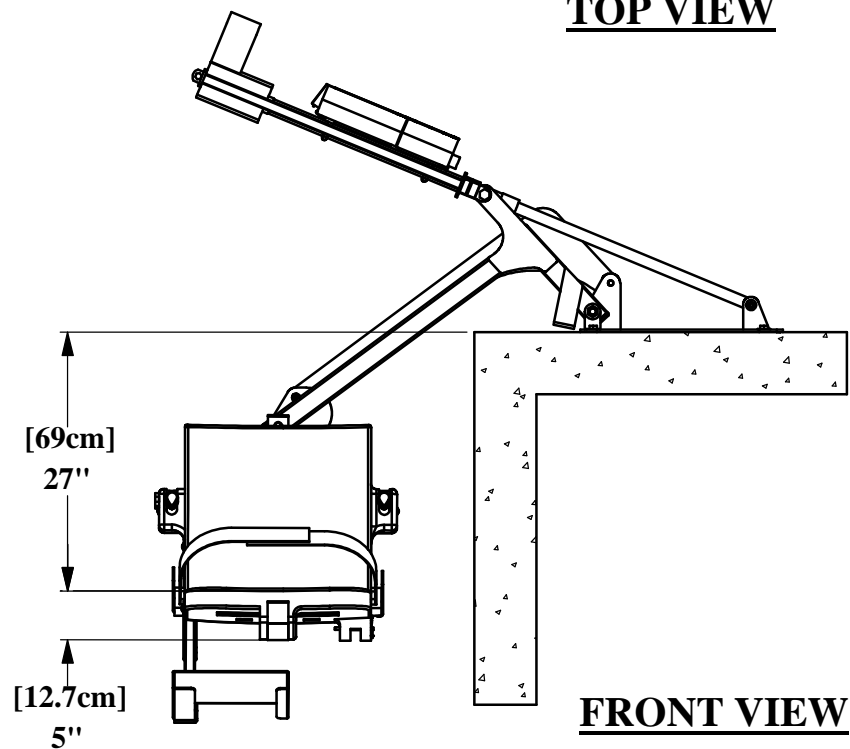
# PRO POOL LIFT™ - REVERSE



**TOP VIEW**



**TOP VIEW**



**FRONT VIEW**



**Aqua Creek Products**  
The Total Solution for Pool and Spa Access

9889 GARRYMORE LANE  
MISSOULA, MT 59808  
(406) 549-0769  
FAX (406) 549-2602

NOTE:  
\*SPECIFICATIONS ARE SUBJECT TO CHANGE WITHOUT NOTICE  
\*ALL DIMENSIONS ARE IN INCHES

PRODUCT:	F-004PLB-R		
DWG#:	F-004PLB-R-2		
SCALE:	1:18	DATE:	11/18/10
DRAWN BY:	DS	REVISION:	D