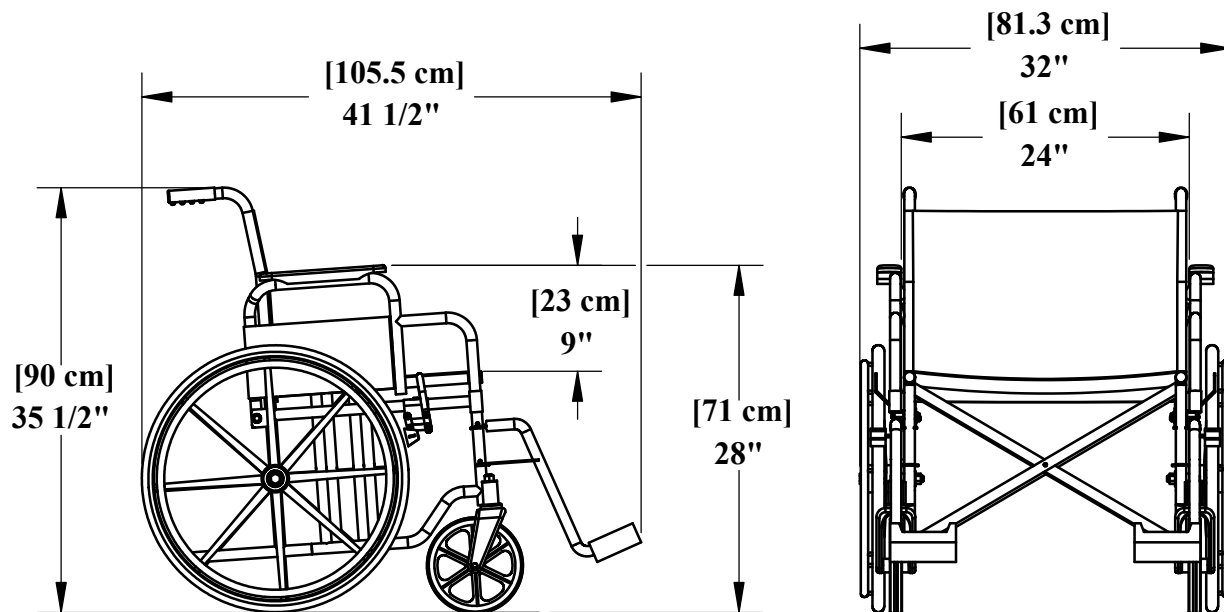


# 24" STAINLESS STEEL WHEELCHAIR

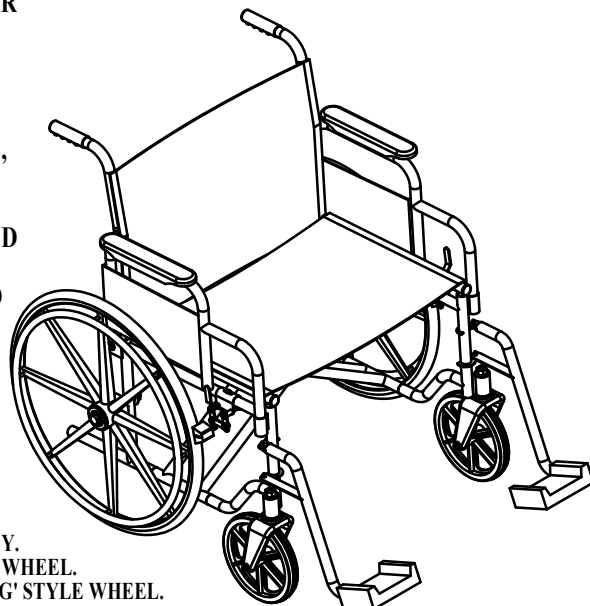


## SPECIFICATIONS

THE AQUA CREEK 24" STAINLESS STEEL FOLDING AQUATIC WHEELCHAIR SHALL BE FABRICATED FROM MATERIALS 100% COMPATIBLE WITH SWIMMING POOL WATER. THE WHEELCHAIR SHALL BE SUITABLE FOR DAILY IMMERSION IN SWIMMING POOL WATER. IT SHALL HAVE A CAPACITY OF 500LBS [226 kg]. ALL METALLIC PARTS SHALL BE MADE OF STAINLESS STEEL. THE FRAME SHALL HAVE A DOUBLE CROSS BRACE, AND UTILIZE BENT TUBING WITH NO SHARP CORNERS. ALL WHEELS SHALL HAVE SOLID PLASTIC TIRES WITH PLASTIC MAG-STYLE WHEELS. UPHOLSTERY FABRIC SHALL BE TREATED TO BE BOTH ANTI-FUNGAL AND ANTI-MILDEW. ARM RESTS SHALL SWING UP OUT OF THE WAY FOR TRANSFERS. FOOTRESTS SHALL BE REMOVABLE, AND SHALL ALSO FOLD UP. THE WHEELCHAIR SHALL ALSO INCLUDE AN UPPER CHEST STRAP AND LOWER NYLON SEAT BELT.

## CERTIFIED SAFE FOR *MRI* USE

FRAME: TYPE 304 STAINLESS STEEL TUBING, MIRROR POLISHED.  
 UPHOLSTERY: PVC MESH - MEETS CALIFORNIA 117 BULLETIN FOR FIRE RETARDENCY.  
 REAR WHEEL: 22" X 1" [61 X 2.5 cm] SOLID URETHANE TIRE ON PLASTIC 'MAG' STYLE WHEEL.  
 FRONT CASTER: 8" X 2" [20.3 X 5.1 cm] WIDE SOLID FOAM-FILLED TIRE ON PLASTIC 'MAG' STYLE WHEEL.  
 WHEEL BUSHINGS: ACETYL PLASTIC.  
 ARM RESTS: DESK STYLE ARMRESTS, HINGED AT REAR TO SWING UP/BACK.  
 FOOT RESTS: STAINLESS STEEL FRAME WITH FOLDING PLASTIC FOOTPLATE. REMOVABLE. REMOVABLE RIGGING. HEEL LOOP FIXED TO FOOTPLATE.  
 WHEEL LOCKS: LEVER OPERATED. STAINLESS STEEL WITH NYLON WASHERS, RUBBER HANDLES, AND PLASTIC CONTACT FOOT. ADJUSTABLE.




**Aqua Creek Products**  
 The Total Solution for Pool and Spa Access

9889 GARRY MORE LANE  
 MISSOULA, MT 59808  
 (406) 549-0769  
 FAX (406) 549-2602

NOTE:  
 \*SPECIFICATIONS ARE SUBJECT TO CHANGE WITHOUT NOTICE  
 \*ALL DIMENSIONS ARE IN INCHES

PRODUCT:	F-058SSWC	
DWG #:	F-058SSWC-1	
SCALE:	1:18	DATE: 10/7/09
DRAWN BY:	DS	REVISION: B