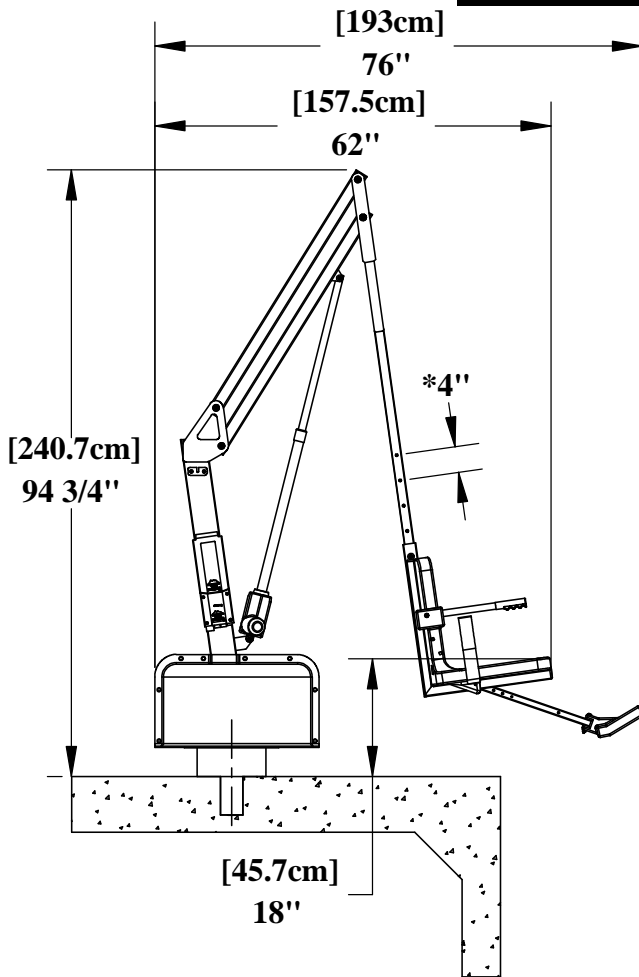
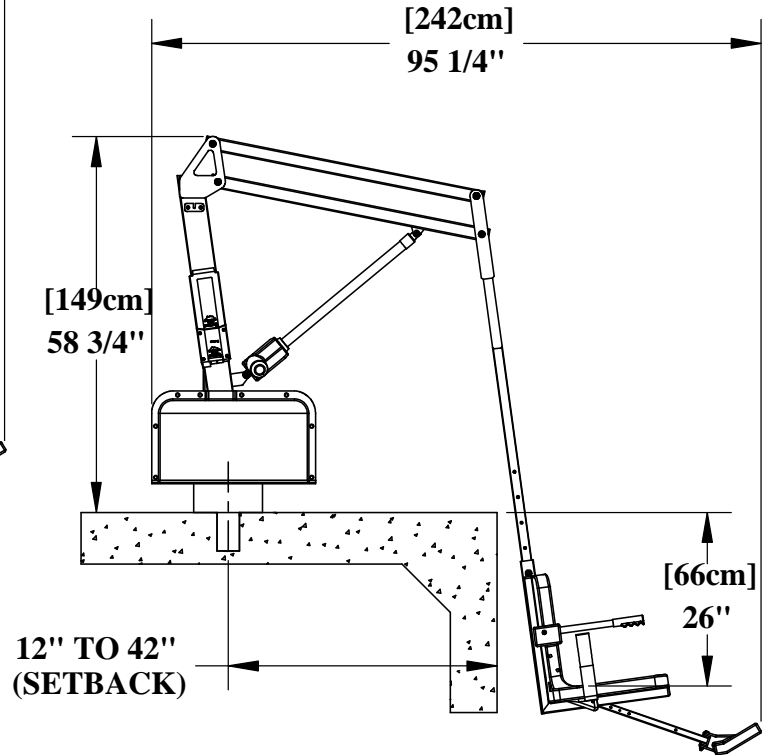


# TITAN 600™ LIFT



\*SEAT HEIGHT IS ADJUSTABLE IN 4, 4" INCREMENTS (16" RANGE)

\*\*LEGREST IS ADJUSTABLE IN 4, 1-1/2" INCREMENTS (6" RANGE)



## SPECIFICATIONS:

THE AQUA CREEK PRODUCTS TITAN 600 LIFT SHALL BE A 24VDC BATTERY OPERATED LIFTING DEVICE FOR HANDICAPPED OR ASSISTED ACCESS TO POOLS AND SPAS. IT SHALL BE MADE PRIMARILY OF TYPE 304 STAINLESS STEEL, AND SHALL HAVE A LIFTING CAPACITY OF 600 LBS [272 kg]. THE TITAN 600 LIFT SHALL HAVE A SETBACK RANGE OF 12" TO 42" [30.5 TO 107 cm]. THE LIFT SHALL COME STANDARD WITH AN 22" [55.9 cm] WIDE SEAT. OTHER STANDARD EQUIPMENT SHALL INCLUDE A SEAT BELT, A FOLDING LEGREST AND DUAL, FLIP-UP ARMRESTS. THE TITAN 600 LIFT SHALL CARRY A LIMITED LIFETIME WARRANTY.

MAST: 2" X 4" X .120" [5.1 X 10.2 X .31 cm] TYPE 304 STAINLESS STEEL TUBE  
 BOOM: 2" X 2" X .120" [5.1 X 5.1 X .31 cm] TYPE 304 STAINLESS STEEL TUBE  
 LINEAR ACTUATOR: LINAK LA-34  
 ROTARY ACTUATOR: 24VDC ROTARY MOTOR  
 FINISH: UV RESISTANT EPOXY POWDER COATING

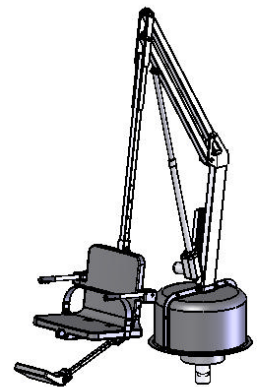
### ACCESSORIES:

ANCHOR: F-612TLA  
 SAFETY COVER: F-720RLC

Inspected And Verified To Meet  
 Applicable Sections of ADA  
 Guidelines Section 1009.2 By

**wyle**  
 laboratories

A Nationally Recognized  
 Test Laboratory



**Aqua Creek Products**  
 The Total Solution for Pool and Spa Access

9889 GARRYMORE LANE  
 MISSOULA, MT 59808  
 (406) 549-0769  
 FAX (406) 549-2602

NOTE:  
 \*SPECIFICATIONS ARE SUBJECT TO CHANGE WITHOUT NOTICE  
 \*ALL DIMENSIONS ARE IN INCHES

PRODUCT:	F-600TL	
DWG #:	F-600TL-1	
SCALE:	1:24	DATE: 4/1/11
DRAWN BY:	DS	REVISION: C