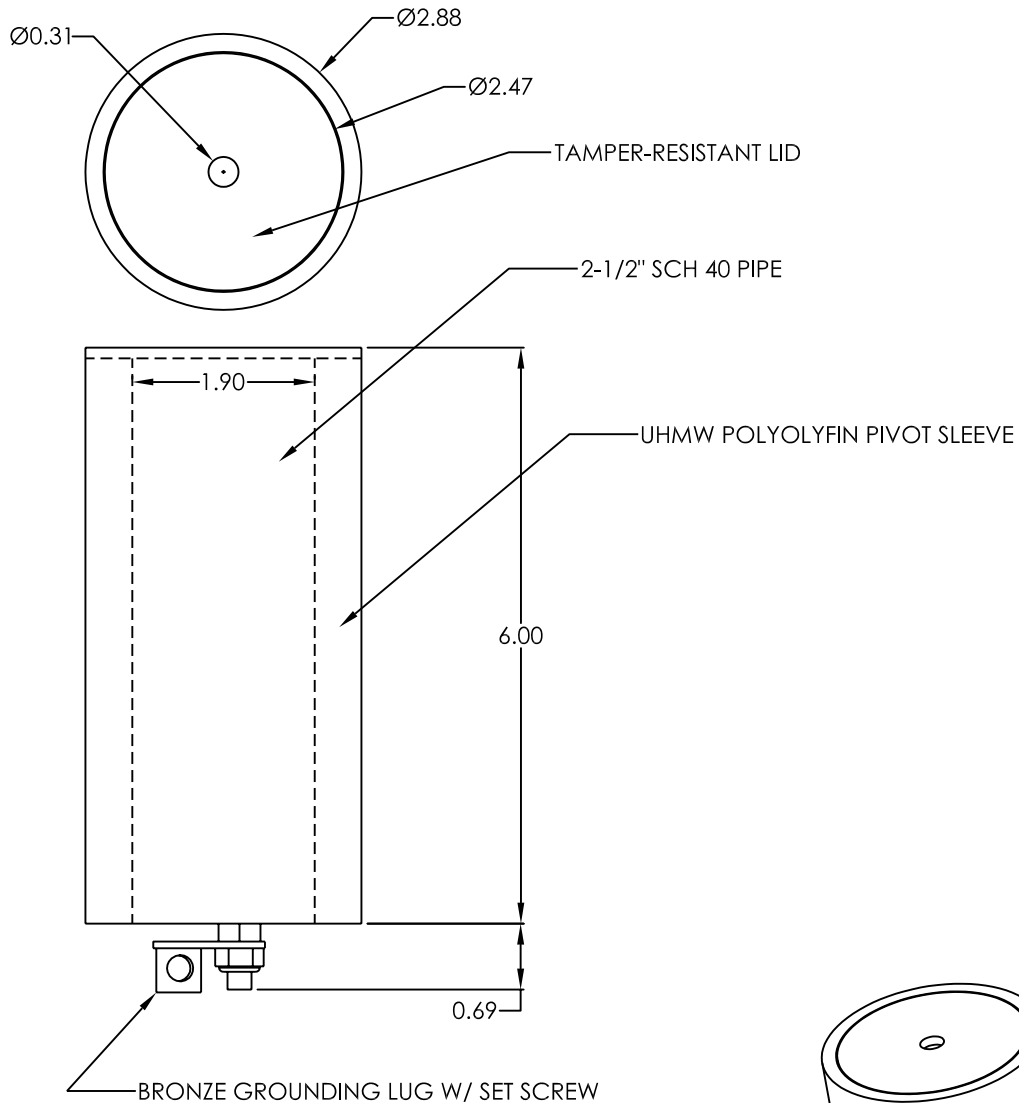


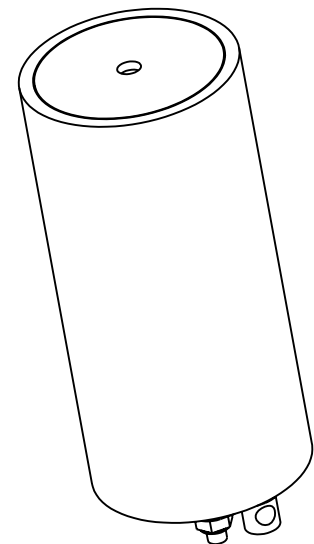
EZ POOL LIFT™ ANCHOR



SPECIFICATIONS

THE AQUA CREEK EZ POOL LIFT ANCHOR SHALL BE AN ALL STAINLESS STEEL ANCHOR WITH A POLYOLYFIN PIVOT SLEEVE. THE ANCHOR SHALL FIT A 1.90" O.D. TUBE. THE ANCHOR SHALL COME STANDARD WITH A BRONZE GROUNDING LUG ATTACHED AT THE BOTTOM. AN ELECTRO-POLISHED, TAMPER RESISTANT LID SHALL BE INCLUDED.

ANCHOR HOUSING: 2-1/2" SCH 40 S.S. PIPE
 GROUNDING LUG: BRONZE GROUNDING LUG W/ SET SCREW
 SLEEVE: UHMW POLYOLYFIN SLEEVE
 LID: ELECTRO-POLISHED 12 GAGE S.S.



NOTE:
 SPECIFICATION ARE SUBJECT TO CHANGE WITHOUT NOTICE
 ALL DIMENSIONS ARE IN INCHES



3015 W. Railroad St. #8
 Missoula, MT 59808
 (406) 549-0769
 FAX (406) 549-2602

REVISION:	A	PRODUCT:	EZ POOL LIFT ANCHOR
SCALE	6" = 1'-0"	DATE:	11/18/02
DRAWN BY:	MBT	DWG #:	F-033EZA