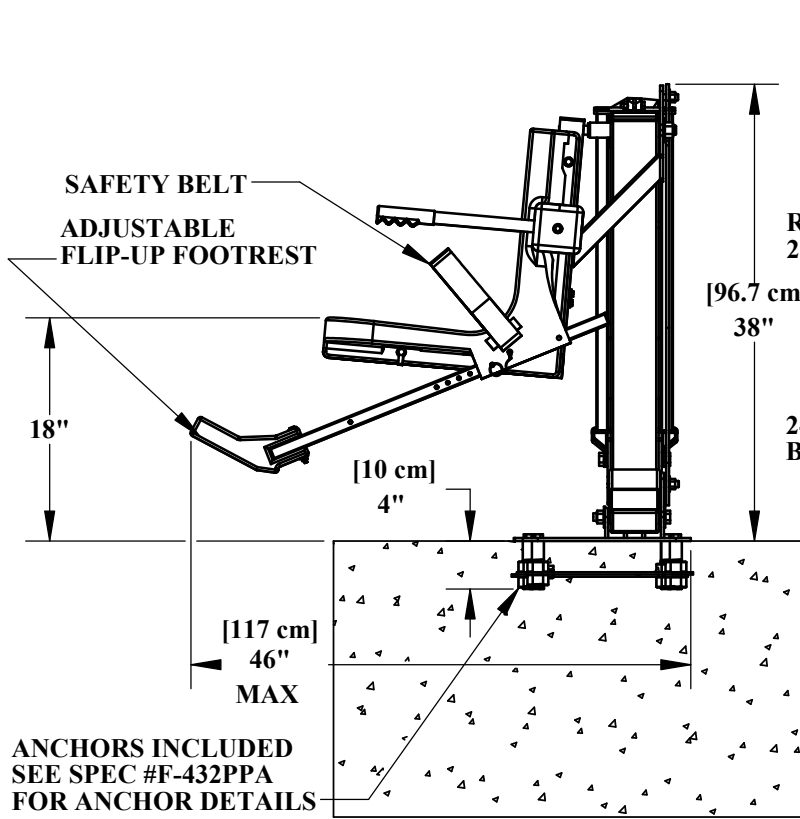
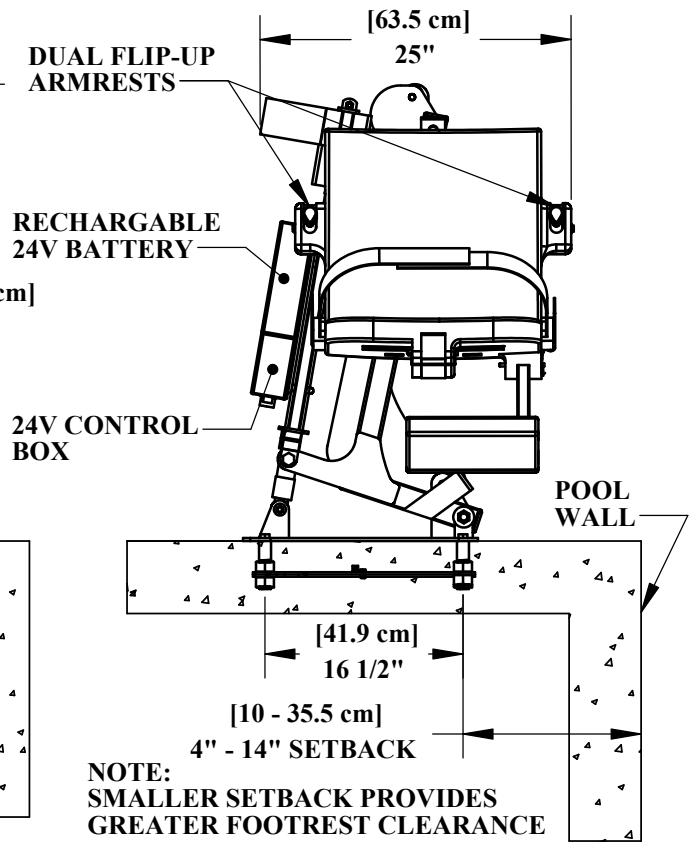


PRO POOL™ LIFT



SIDE VIEW

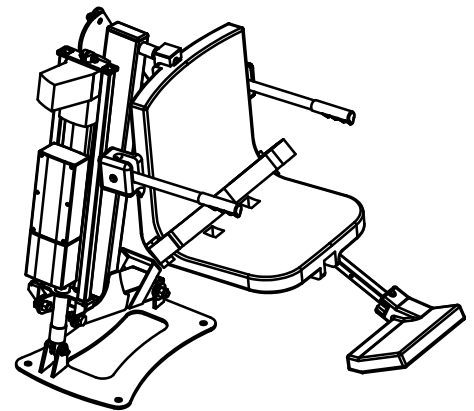


FRONT VIEW

SPECIFICATIONS

THE AQUA CREEK PRO POOL LIFT SHALL BE A 24V LINEAR ACTUATED, SELF OPERABLE, IN-GROUND POOL OR SPA LIFT. THE LIFT SHALL NOT INTRUDE INTO THE POOL OR SPA UNLESS IN USE. THE LIFT SHALL BE OF STAINLESS STEEL CONSTRUCTION AND DESIGNED TO LIFT 400 LBS [181 kgs] WITH A STATIC LOAD RATING OF 600 LBS [272 kgs]. AN 18" [45.7 cm] WIDE SEAT SHALL BE CAPABLE OF BEING SET BACK 16" [405 mm] FROM CENTERLINE OF SEAT TO POOL EDGE. A 24 VOLT WATERPROOF CONTROLLER SHALL BE USABLE BY THE OPERATOR OR AN ATTENDANT. A CONTROL BOX, BATTERY CHARGER AND ONE REMOVABLE 24V RECHARGABLE BATTERY SHALL COME STANDARD. THE LIFT SHALL INCLUDE A SEATBELT. AN OPTIONAL WHEEL KIT FOR PORTABILITY IS AVAILABLE. THE LIFT SHALL CARRY A FIVE YEAR WARRANTY ON ALL STRUCTURAL COMPONENTS.

- BASE PLATE: 1/4" STAINLESS STEEL TYPE 304
- MAIN HOUSING: 2" x 4" x .120" STAINLESS STEEL TUBE TYPE 304
- CHAIR AND FOOTREST: UV STABILIZED POLYETHYLENE (LLDPE)
- ACTUATOR: 24" STROKE LINAK LA34 LINEAR ACTUATOR
- OPTIONAL WHEEL KIT: MOLDED POLYOLEFIN
- FINISH: UV RESISTANT EPOXY POWDER COATING



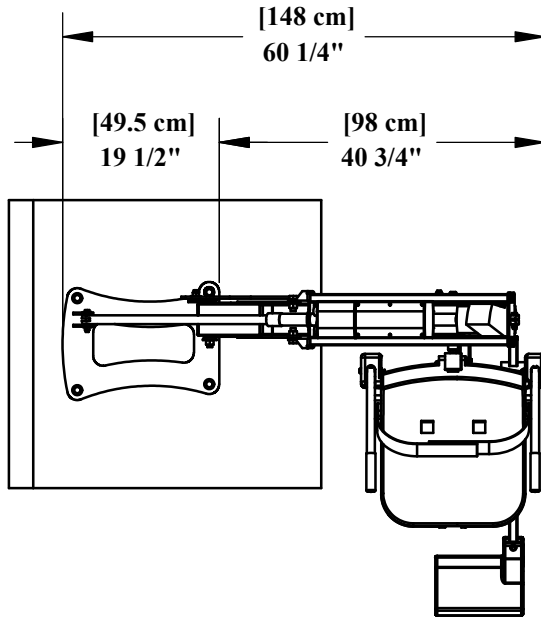
9889 GARRY MORE LANE
MISSOULA, MT 59808
(406) 549-0769
FAX (406) 549-2602

NOTE:
*SPECIFICATIONS ARE SUBJECT TO CHANGE WITHOUT NOTICE
*ALL DIMENSIONS ARE IN INCHES

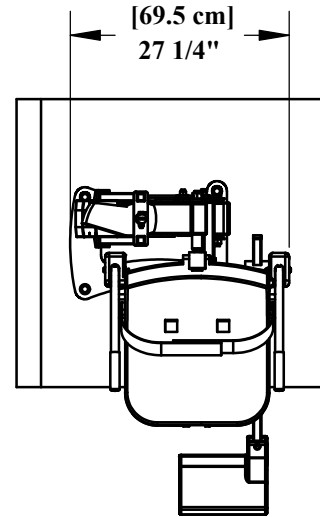
PRODUCT:	F-004PLB	
DWG #:	F-004PLB-1	
SCALE:	1:18	DATE: 11/12/08
DRAWN BY:	DS	REVISION: H



PRO POOL™ LIFT

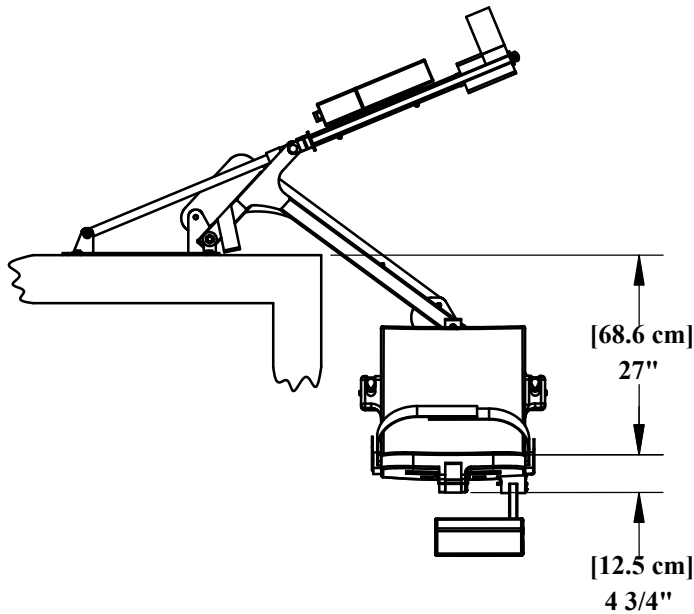


TOP VIEW



**LIFT SHOWN IN FULLY
RAISED POSITION**

TOP VIEW



**LIFT SHOWN IN FULLY
LOWERED POSITION**

FRONT VIEW

9889 GARRY MORE LANE
MISSOULA, MT 59808
(406) 549-0769
FAX (406) 549-2602

NOTE:
*SPECIFICATIONS ARE SUBJECT TO CHANGE WITHOUT NOTICE
*ALL DIMENSIONS ARE IN INCHES



PRODUCT:		F-004PLB	
DWG #:		F-004PLB-2	
SCALE:	1:24	DATE:	11/12/08
DRAWN BY:	DS	REVISION:	H