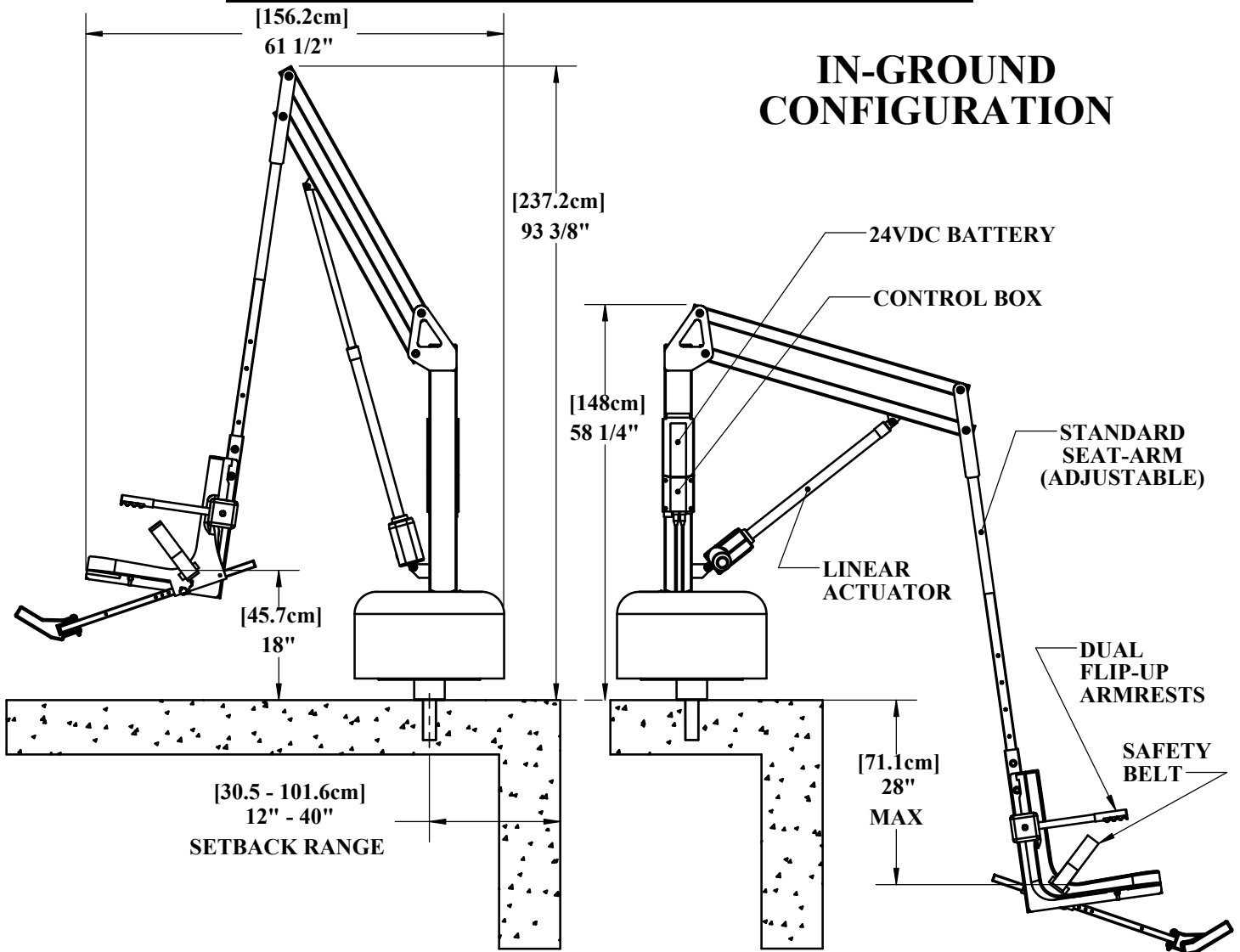


THE REVOLUTION LIFT™

IN-GROUND CONFIGURATION



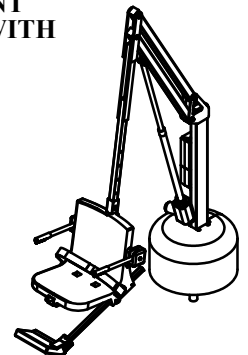
SPECIFICATIONS

THE AQUA CREEK REVOLUTION LIFT SHALL BE A 24 VDC BATTERY POWERED SPA OR POOL LIFT. THE LIFT SHALL BE OF STAINLESS STEEL CONSTRUCTION WITH A LIFTING CAPACITY OF 500 LBS [227 kgs]. THE LIFT SHALL HAVE AN OPERATING RANGE OF 46" [117 cm] AND HAVE AN ADJUSTABLE SEAT ARM TO ALLOW FOR IN-GROUND OR ABOVE-GROUND OPERATION. THE REVOLUTION LIFT CAN BE SETBACK UP TO 40" [102 cm] FROM THE POOL EDGE WITH UNLIMITED 360° OF POWERED ROTATION. THE UNIT SHALL INCLUDE A 6" [15.2 cm] DEEP ANCHOR WITH AN ANTI-TAMPER LID. STANDARD EQUIPMENT SHALL INCLUDE A SAFETY BELT, A FLIP-UP FOOTREST AND AN 18" [45.7 cm] WIDE SEAT WITH DUAL FLIP-UP ARMRESTS. A 5 YEAR STRUCTURAL WARRANTY IS STANDARD.

MAST: 2" X 4" X .120" [5.1 X 10.2 X .31 cm] TYPE 304 STAINLESS STEEL TUBE
 BOOM: 2" X 2" X .120" [5.1 X 5.1 X .31 cm] TYPE 304 STAINLESS STEEL TUBE
 LINEAR ACTUATOR: LINAK LA-34
 ROTARY ACTUATOR: 24VDC ROTARY MOTOR
 FINISH: UV RESISTANT EPOXY POWDER COATING

ACCESSORIES:

ANCHOR: PART NUMBER F-710RLA
 COVER: PART NUMBER F-720RC



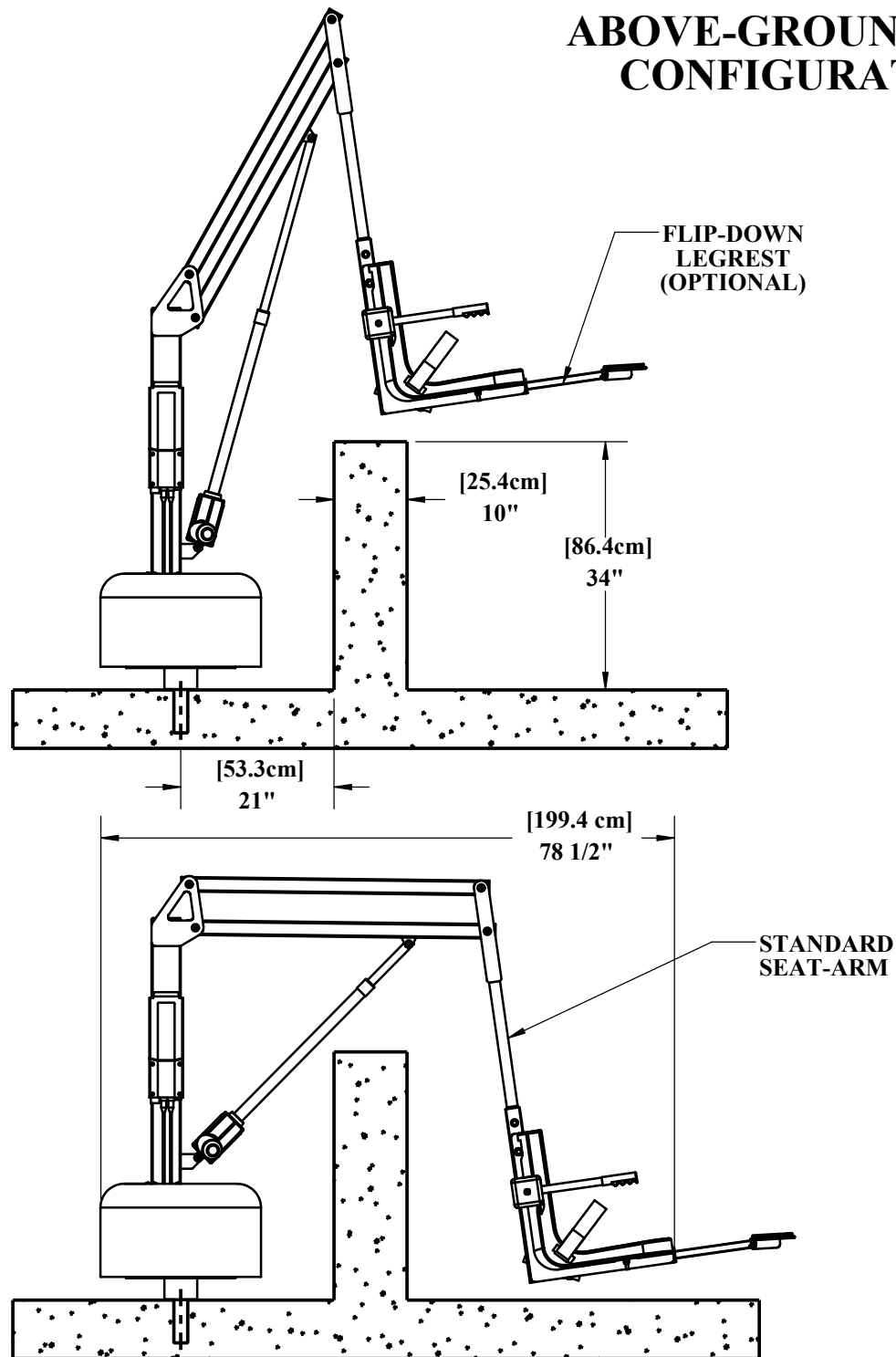
3015 W. RAILROAD ST. #8
 MISSOULA, MT 59808
 (406) 549-0769
 FAX (406) 549-2602

NOTE:
 *SPECIFICATIONS ARE SUBJECT TO CHANGE WITHOUT NOTICE
 *ALL DIMENSIONS ARE IN INCHES



PRODUCT:	F-700RL	
DWG #:	F-700RL-1	
SCALE:	1:24	DATE: 2/26/08
DRAWN BY:	DS	REVISION: B

ABOVE-GROUND (SPA) CONFIGURATION



WITH THE SEAT MOUNTED AT ITS HIGHEST POSITION THE REVOLUTION LIFT WILL CLEAR A 34" [86.4cm] HIGH BY 10" [25.4cm] THICK WALL. THE SETBACK DISTANCE FOR THIS SITUATION IS 21" [53.3cm]. FOR OTHER APPLICATIONS AN OPTIONAL SPA SEAT-ARM IS AVAILABLE, MAKING IT POSSIBLE FOR THE REVOLUTION LIFT TO CLEAR UP TO A 48" [121.9cm] HIGH WALL. AN OPTIONAL FLIP-DOWN LEGREST IS ALSO AVAILABLE FOR ABOVE-GROUND APPLICATIONS (SHOWN).

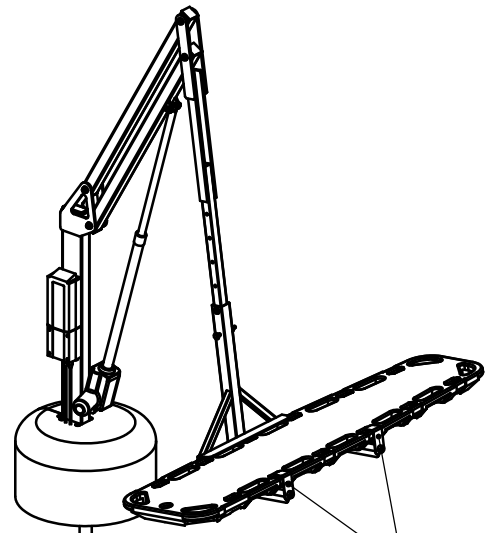
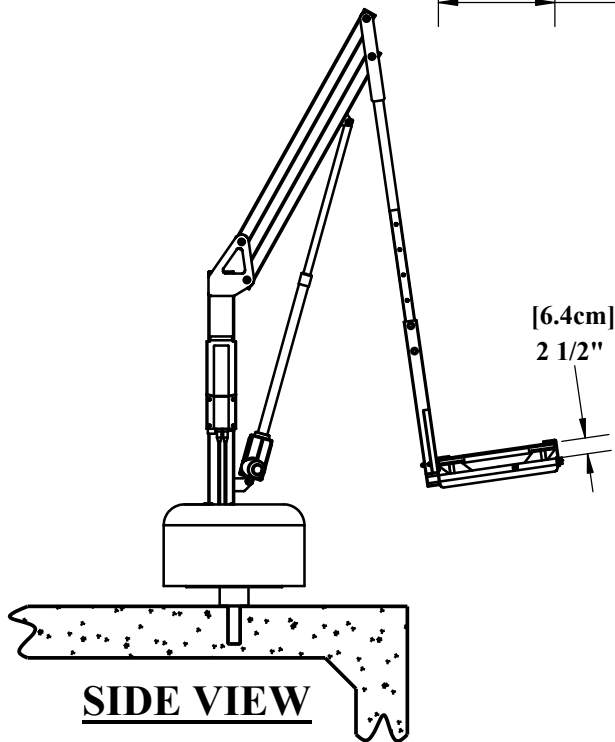
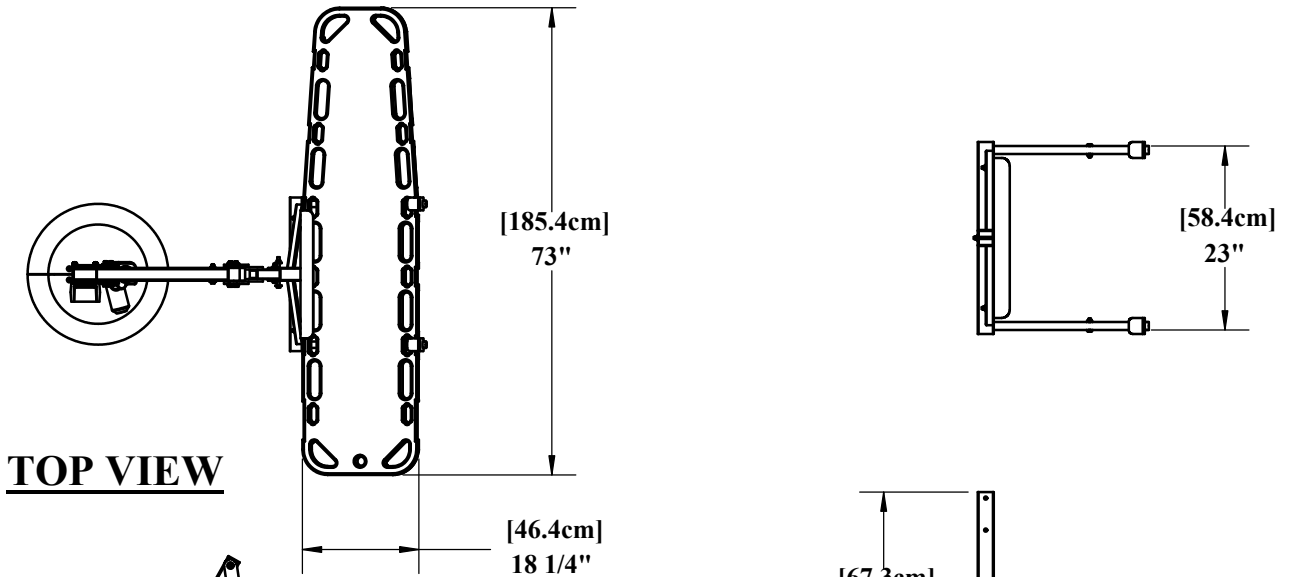


3015 W. RAILROAD ST. #8
 MISSOULA, MT 59808
 (406) 549-0769
 FAX (406) 549-2602

NOTE:
 *SPECIFICATIONS ARE SUBJECT TO CHANGE WITHOUT NOTICE
 *ALL DIMENSIONS ARE IN INCHES

PRODUCT:		F-700RL	
DWG #:		F-700RL-2	
SCALE:	1:24	DATE:	2/26/08
DRAWN BY:	DS	REVISION:	B

REVOLUTION LIFT WITH OPTIONAL SPINEBOARD ATTACHMENT



FLIP-DOWN CLAMPS
ALLOW FOR QUICK
RELEASE & RE-ATTACHMENT

THE REVOLUTION LIFT CAN BE PURCHASED WITH AN OPTIONAL SPINEBOARD ATTACHMENT (WITH SPINEBOARD) FOR ADDITIONAL FUNCTIONALITY. THE SPINEBOARD ATTACHMENT WILL WORK IN BOTH ABOVE-GROUND AND IN-GROUND CONFIGURATIONS, AND WILL ALSO CLEAR A 34" [86.4cm] SPA WALL WITH THE STANDARD SEAT-ARM. WITH THE OPTIONAL SEAT-ARM THE SPINEBOARD ATTACHMENT WILL CLEAR A 48" [122cm] WALL. THE SPINEBOARD MEASURES 73" [185.4cm] LONG BY 18-1/4" [46.4cm] WIDE BY 2-1/2" [6.4cm] THICK, AND IS MADE OF ROTATIONALLY MOLDED LLDPE. THE ATTACHMENT IS MADE OF TYPE 304 STAINLESS STEEL, AND IS EPOXY POWDER COATED.

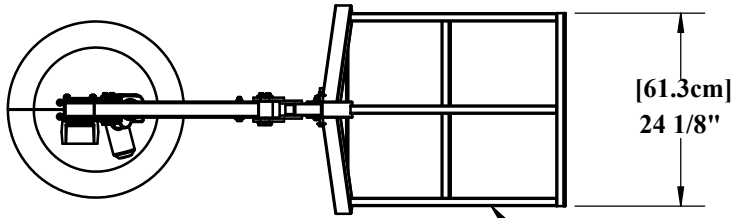
3015 W. RAILROAD ST. #8
MISSOULA, MT 59808
(406) 549-0769
FAX (406) 549-2602

NOTE:
*SPECIFICATIONS ARE SUBJECT TO CHANGE WITHOUT NOTICE
*ALL DIMENSIONS ARE IN INCHES



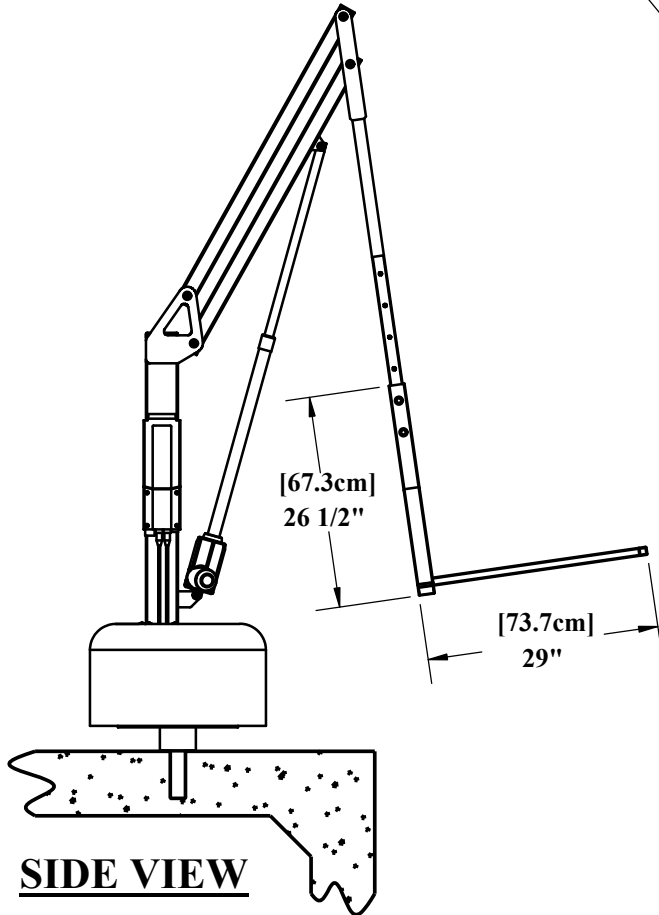
PRODUCT: F-700RL & F-740RSBA	
DWG #: F-700RL-3	
SCALE: 1:30	DATE: 2/26/08
DRAWN BY: DS	REVISION: B

REVOLUTION LIFT WITH OPTIONAL STRETCHER/GURNEY ATTACHMENT

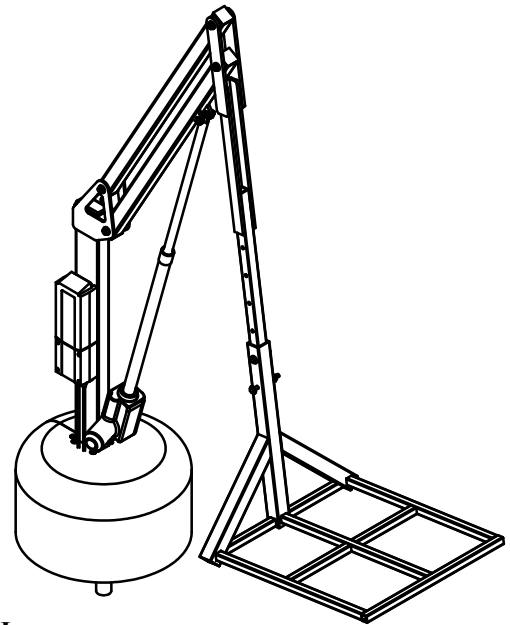


TOP VIEW

OPTIONAL STRETCHER/GURNEY ATTACHMENT (PART NUMBER: F-730RSA)



SIDE VIEW



THE REVOLUTION LIFT IS ALSO AVAILABLE WITH AN OPTIONAL STRETCHER/GURNEY ATTACHMENT FOR ADDITIONAL VERSATILITY. THE STRETCHER/GURNEY ATTACHMENT WILL ALSO WORK IN BOTH ABOVE-GROUND AND IN-GROUND CONFIGURATIONS, AND WILL CLEAR A 34" [86.4cm] HIGH WALL WITH THE STANDARD SEAT-ARM. WITH THE OPTIONAL SPA SEAT-ARM IT WILL CLEAR A 48" [122cm] WALL. THE STRETCHER/GURNEY ATTACHMENT IS MADE OF TYPE 304 STAINLESS STEEL, AND IS EPOXY POWDER COATED.



3015 W. RAILROAD ST. #8
 MISSOULA, MT 59808
 (406) 549-0769
 FAX (406) 549-2602

NOTE:
 *SPECIFICATIONS ARE SUBJECT TO CHANGE WITHOUT NOTICE
 *ALL DIMENSIONS ARE IN INCHES

PRODUCT:		F-700RL & F-730RSA	
DWG #:		F-700RL-4	
SCALE:	1:24	DATE:	2/26/08
DRAWN BY:	DS	REVISION:	B